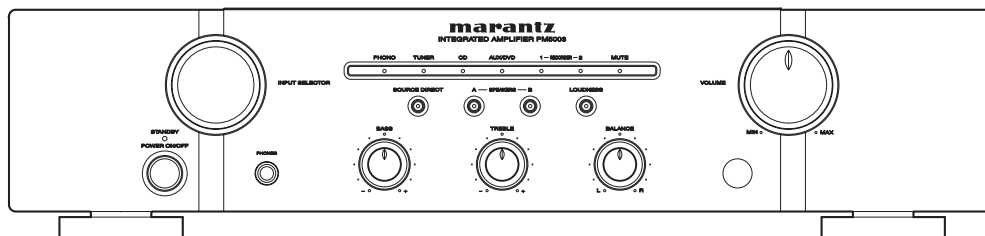


# Service Manual

PM5003 /F N/N1SG

/F B/N1B/U1B

Integrated Amplifier



PM5003

## TABLE OF CONTENTS

SECTION	PAGE
1. TECHNICAL SPECIFICATIONS .....	1
2. IDLING CURRENT ALIGNMENT .....	2
3. SERVICE MODE .....	3
4. WIRING DIAGRAM .....	5
5. BLOCK DIAGRAM .....	7
6. SCHEMATIC DIAGRAM .....	9
7. PARTS LOCATION .....	13
8. EXPLODED VIEW AND PARTS LIST .....	23
9. MICROPROCESSOR AND IC DATA .....	28
10. ELECTRICAL PARTS LIST .....	30
11. ABOUT REPLACE THE MICROPROCESSOR WITH A NEW ONE .....	49

Please use this service manual with referring to the user guide ( D.F.U. ) without fail.

修理の際は、必ず取扱説明書を準備し操作方法を確認の上作業を行ってください。

# marantz®

## PM5003

Part no. 90M01DW855010

First Issue 2008.07

MZ

## MARANTZ DESIGN AND SERVICE

Using superior design and selected high grade components, **MARANTZ** company has created the ultimate in stereo sound. Only original **MARANTZ** parts can insure that your **MARANTZ** product will continue to perform to the specifications for which it is famous.

Parts for your **MARANTZ** equipment are generally available to our National Marantz Subsidiary or Agent.

### ORDERING PARTS :

Parts can be ordered either by mail or by Fax.. In both cases, the correct part number has to be specified.

The following information must be supplied to eliminate delays in processing your order :

1. Complete address
2. Complete part numbers and quantities required
3. Description of parts
4. Model number for which part is required
5. Way of shipment
6. Signature : any order form or Fax. must be signed, otherwise such part order will be considered as null and void.

#### USA

**MARANTZ AMERICA, INC**  
100 CORPORATE DRIVE  
MAHWAH, NEW JERSEY 07430  
USA

#### EUROPE / TRADING

**D&M EUROPE B. V.**  
P. O. BOX 8744, BUILDING SILVERPOINT  
BEEMDSTRAAT 11, 5653 MA EINDHOVEN  
THE NETHERLANDS  
PHONE : +31 - 40 - 2507844  
FAX : +31 - 40 - 2507860

#### CANADA

**D&M Canada Inc.**  
5-505 APPLE CREEK BLVD.  
MARKHAM, ONTARIO L3R 5B1  
CANADA  
PHONE : 905 - 415 - 9292  
FAX : 905 - 475 - 4159

#### JAPAN

**D&M Holdings Inc.**  
D&M BUILDING, 2-1 NISSHIN-CHO,  
KAWASAKI-KU, KAWASAKI-SHI,  
KANAGAWA, 210-8569 JAPAN

株式会社 ディーアンドエムホールディングス

本社 〒210-8569  
神奈川県川崎市川崎区日進町2-1 D&Mビル



#### KOREA

**D&M SALES AND MARKETING KOREA LTD.**  
CHUNG JIN B/D., #1001,  
53-5, WONHYORO 3 GA, YONGSAN-GU,  
SEOUL, 140-719, KOREA  
PHONE : +82 - 2 - 323 - 2155  
FAX : +82 - 2 - 323 - 2154


#### CHINA

**D&M SALES AND MARKETING SHANGHAI LTD.**  
ROOM.808 SHANGHAI AIRPORT CITY TERMINAL  
NO.1600 NANJING (WEST) ROAD, SHANGHAI,  
CHINA. 200040  
TEL : 021 - 6248 - 5151  
FAX : 021 - 6248 - 4434

### NOTE ON SAFETY :

Symbol  Fire or electrical shock hazard. Only original parts should be used to replaced any part marked with symbol  . Any other component substitution (other than original type), may increase risk of fire or electrical shock hazard.

### 安全上の注意 :

 がついている部品は、安全上重要な部品です。必ず指定されている部品番号のものを使用して下さい。

### SHOCK, FIRE HAZARD SERVICE TEST :

**CAUTION :** After servicing this appliance and prior to returning to customer, measure the resistance between either primary AC cord connector pins ( with unit NOT connected to AC mains and its Power switch ON ), and the face or Front Panel of product and controls and chassis bottom.

Any resistance measurement less than 1 Megohms should cause unit to be repaired or corrected before AC power is applied, and verified before it is return to the user/customer.

Ref. UL Standard No. 60065.

In case of difficulties, do not hesitate to contact the Technical Department at above mentioned address.

# 1. TECHNICAL SPECIFICATIONS

**RMS Power output**  
 (40 Hz – 20 kHz simultaneous drive of both channels)  
 8 Ω load ..... 40 W x 2  
 6 Ω load [F] ..... 47 W x 2  
 4 Ω load ..... 55 W x 2

**DIN Power output**  
 (40 Hz – 20 kHz simultaneous drive of both channels)  
 8 Ω load ..... 45 W x 2  
 4 Ω load ..... 60 W x 2

**IHF Dynamic Power**  
 (1 kHz simultaneous drive of both channels)  
 8Ω load ..... 55 W x 2  
 6 Ω load [F] ..... 67 W x 2  
 4Ω load ..... 80 W x 2

**Total harmonic distortion**  
 (40 Hz – 20 kHz simultaneous drive of both channels, 8 Ω load)  
 ..... 0.01 %

**Output band width (8 Ω load, 0.06 %)**  
 ..... 10 Hz – 30 kHz

**Frequency response (CD, 1 W, 8 Ω load)**  
 10 Hz – 50 kHz ..... +0 dB, -1 dB

**Dumping factor (8 Ω load, 40 Hz – 20 kHz)** ..... 100

**Input sensitivity/Input impedance**  
 PHONO (MM) ..... 2.2 mV/47 kΩ  
 CD, LINE, TUNER, AUX/DVD, RECORDER  
 ..... 200 mV/20 kΩ

**Maximum allowable PHONO input level (1 kHz)**  
 MM ..... 110 mV  
 RIAA deviation (40 Hz – 20 kHz) ..... ±0.5 dB

**S/N (IHF-A, 1 W, 8 Ω load)**  
 PHONO (MM) : 5 mV input ..... 83 dB  
 CD, LINE, TUNER, AUX/DVD, RECORDER :  
 500 mV input ..... 100 dB

**Tone control**  
 Bass (100 Hz) ..... ±10 dB  
 Treble (10 kHz) ..... ±10 dB

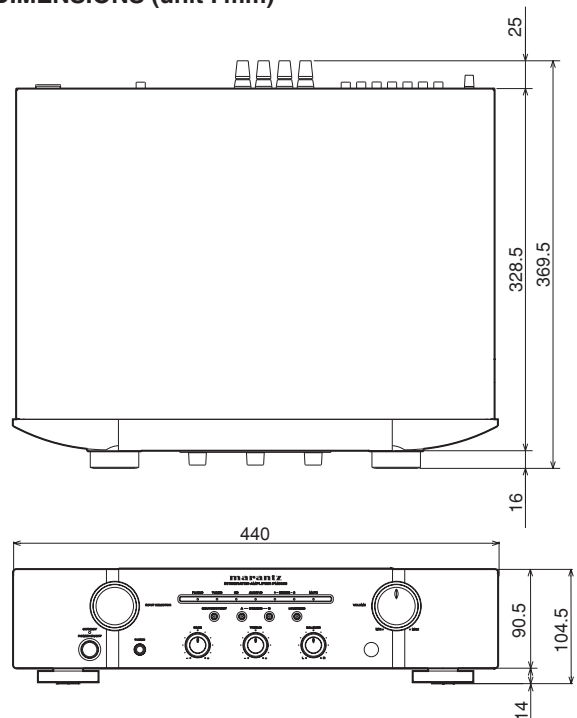
**Power requirement**  
 [F] ..... AC 100 V, 50/60 Hz  
 [N] ..... AC 230 V, 50/60 Hz  
 [U] ..... AC 120 V, 60 Hz

**Power consumption**  
 EN60065/J60065 ..... 110 W  
 4Ω, 55W x 2 output ..... 250 W  
 Standby power consumption [F] ..... 0.4 W

**Accessories**  
 Remote controller (RC003PM) ..... 1  
 AAA batteries ..... 2  
 Detachable AC power cable ..... 1

**Maximum outer dimensions (Amplifier)**  
 Width ..... 440 mm  
 Height ..... 104.5 mm  
 Depth ..... 369.5 mm  
 Weight (Amplifier) ..... 6.7 kg

## DIMENSIONS (unit : mm)



## 2. IDLING CURRENT ALIGNMENT

Adjust the Idling Current with the variable resistor VR31 and VR32 on the PWB.

### CONTROLS SETTING :

TONE (BASS & TREBLE) : MID POSITION  
 BALANCE : MID POSITION  
 VOLUME : MINIMUM POSITION  
 LOUDNESS : OFF POSITION  
 SOURCE DIRECT : OFF POSITION

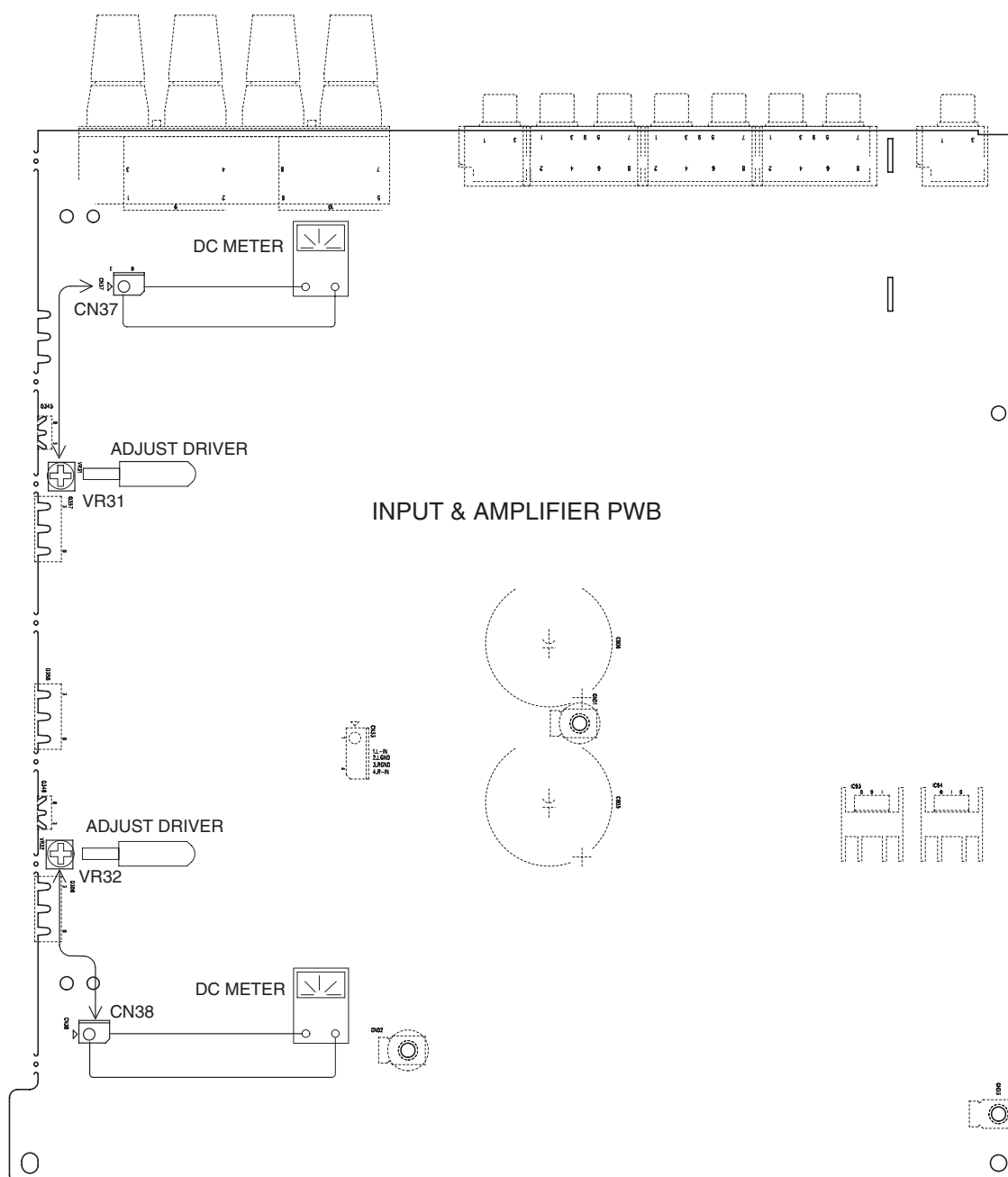
## 2. アイドリング電流調整

基板上(下図)の半固定抵抗VR31とVR32でアイドル電流を調整します

### セッティング :

TONE (BASS & TREBLE) : 中間位置  
 BALANCE : 中間位置  
 VOLUME : MIN位置  
 LOUDNESS : OFF位置  
 SOURCE DIRECT : OFF位置

Adjustment VR	Measurement Point	Measurement Voltage
VR31	CN37	5 mV ± 0.5 mV
VR32	CN38	5 mV ± 0.5 mV

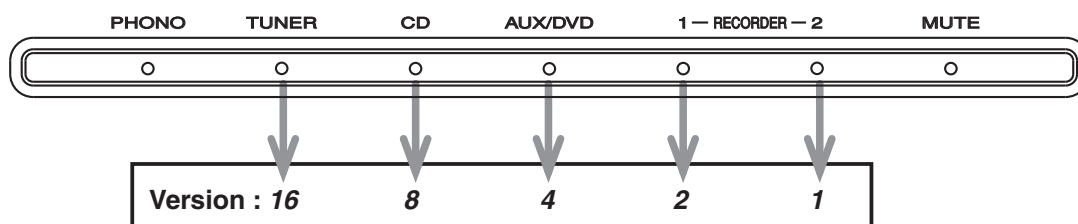


### 3. SERVICE MODE

#### Microprocessor (IC61) version check

Operate by using the supplied Remote controller (RC003PM).

1. Press the **POWER** button to turn on the unit.
2. Press **TAPE (RECORDER 2)** button and press **5, 0, 0, 3** button on the remote controller.  
(Please each button within 5 seconds)
3. The firmware version is displayed on the front LED.  
(Display time is only for 3 seconds.)



The firmware version is displayed in the lighting position of LED.

**Ex. :**

Light up RECORDER-2 [1], **Version : 1**

Light up RECORDER-2 [1] and AUX/DVD [4], **Version : 5**

Light up RECORDER-2 [1] and CD [8], **Version : 9**

4. Each LED light up then all LED light up.
5. Turn off the power to quit Service Mode.  
(The unit to the default status)

### 3. SERVICE MODE

#### Microprocessor (IC61) VERSION 確認

操作は付属リモコン(RC003PM)を使用します。

1. **POWER** ボタンを押し、本体の電源をいれます。
2. リモコンの**TAPE (RECORDER 2)**, **5, 0, 0, 3** ボタンを順に押します。  
(各ボタンは5秒以内に押してください)
3. **FIRMWARE** のバージョンがLEDにて表示されます。  
(表示は3秒間のみです)

LEDが点灯している箇所がバージョン表示です。

**表示例 :**

点灯RECORDER 2 [1], **Version : 1**

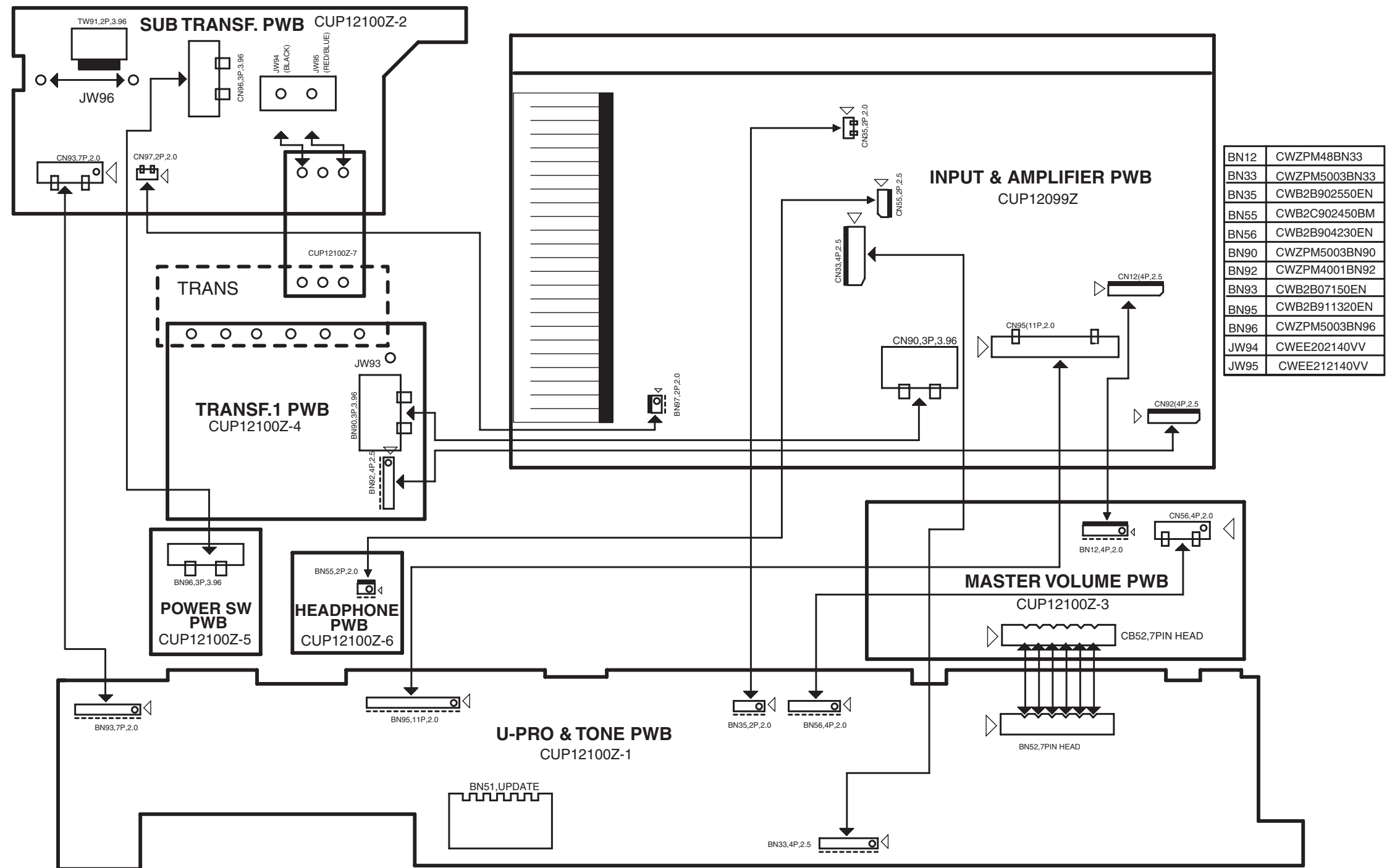
点灯RECORDER 2 [1] and AUX/DVD [4], **Version : 5**

点灯RECORDER 2 [1] and CD [8], **Version : 9**

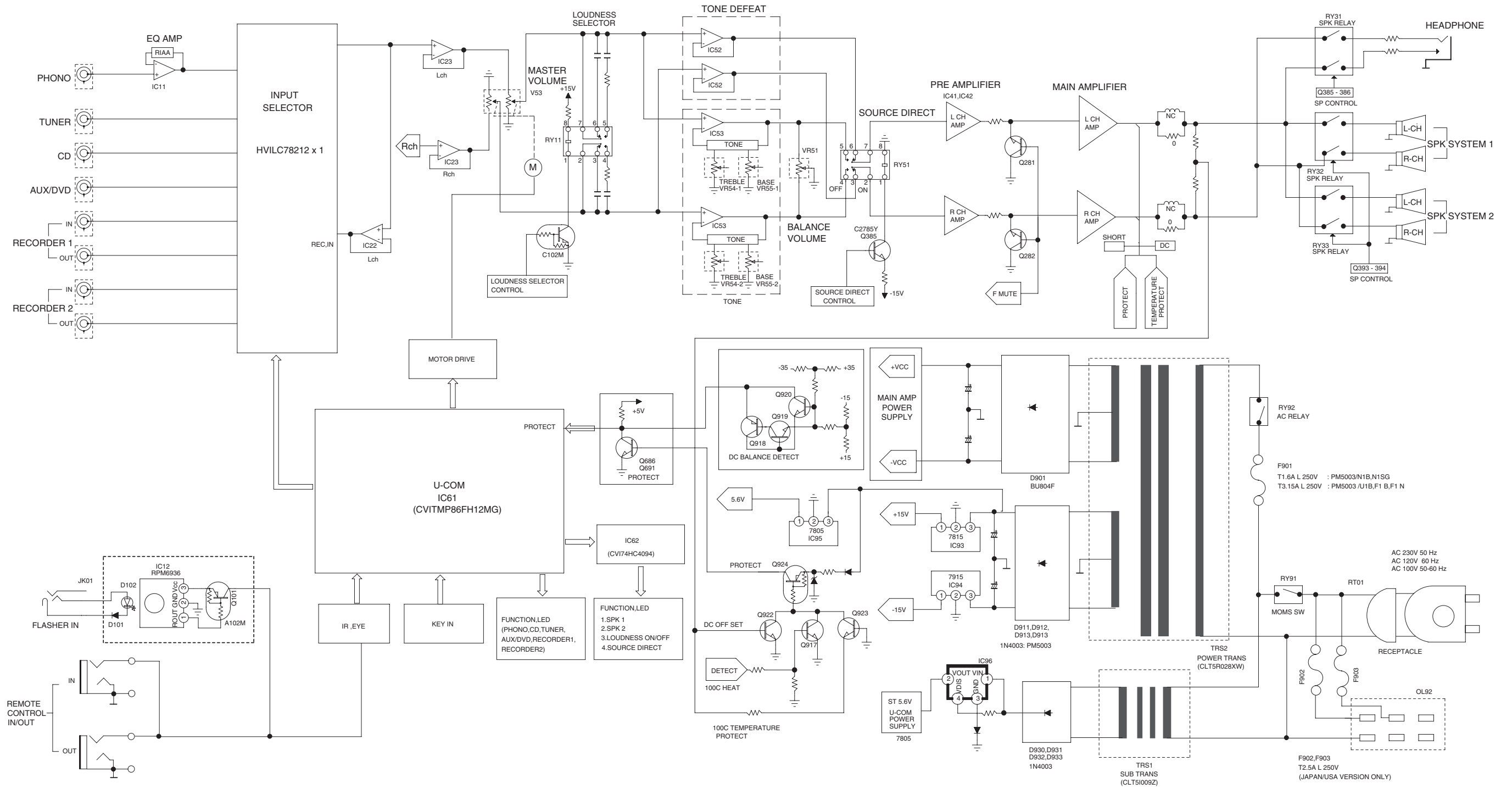
4. フロントパネルのLEDが順次点灯し、その後全点灯します。
5. 電源を切ると**SERVICE**モードが解除されます。  
(本機は、各種設定された内容が初期化され、工場出荷時の状態に戻ります)



#### 4. WIRING DIAGRAM

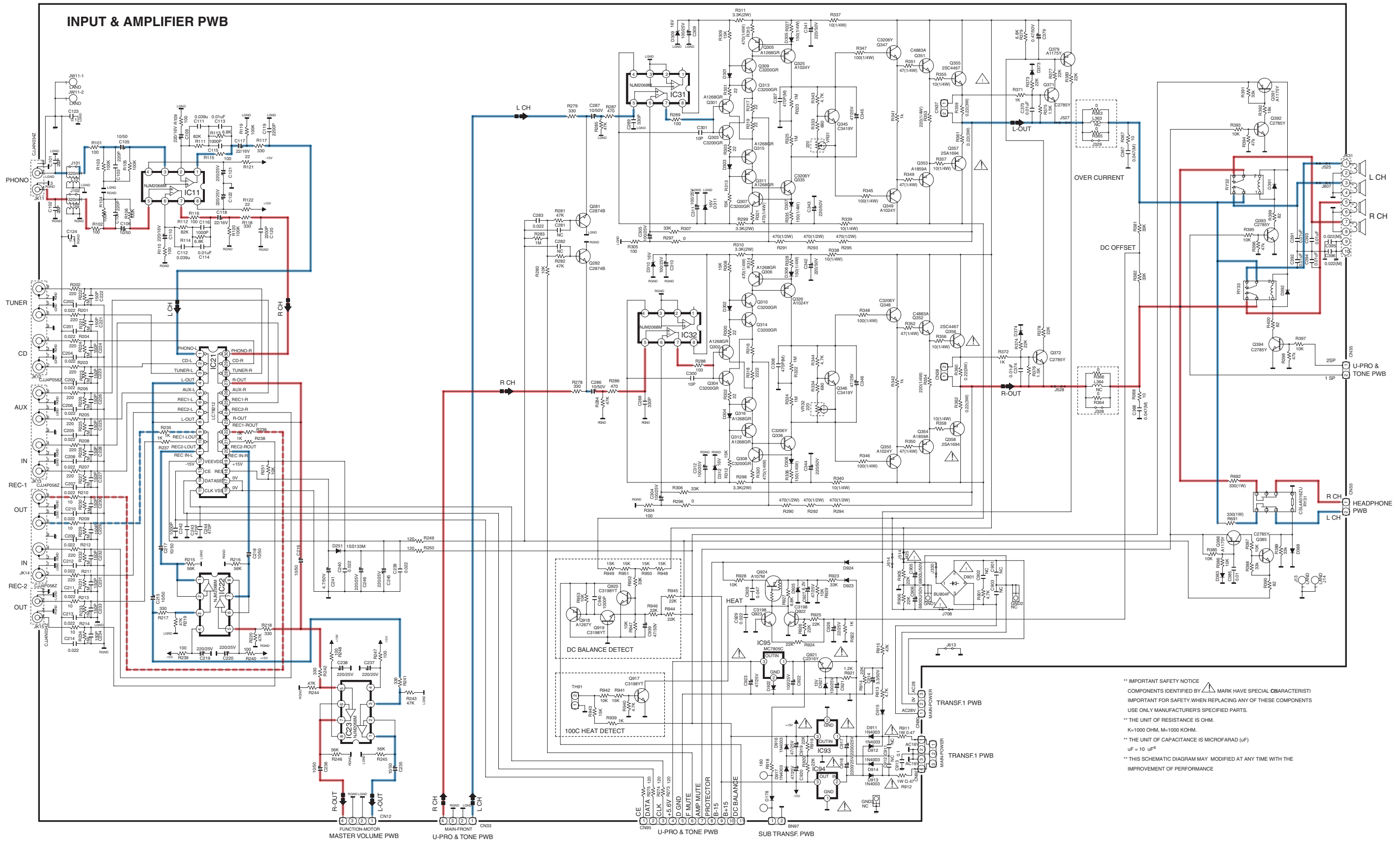


# 5. BLOCK DIAGRAM

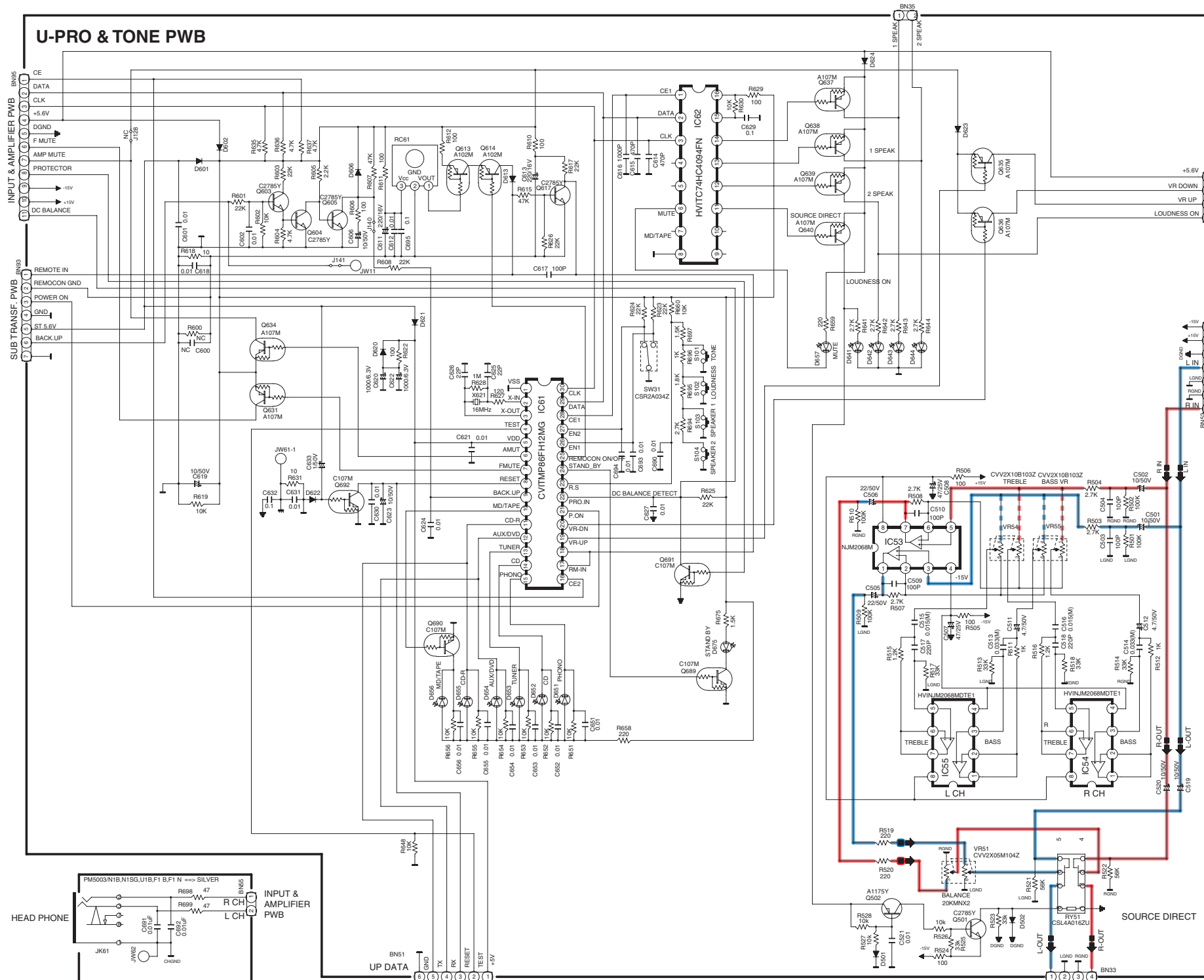




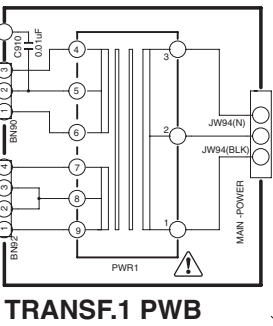
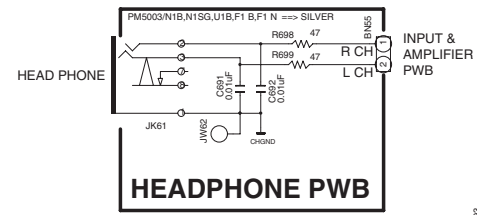
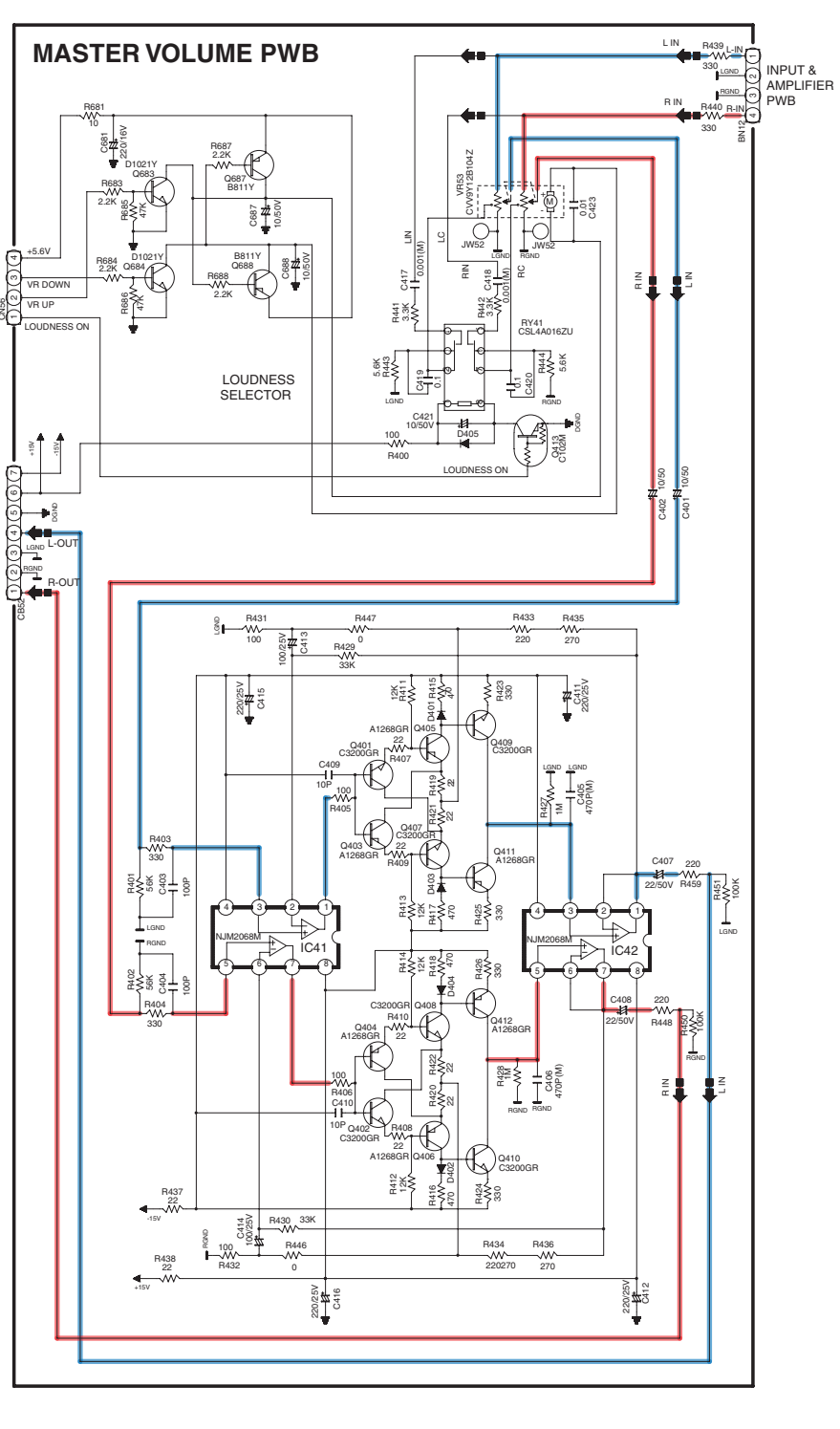
# 6. SCHEMATIC DIAGRAM



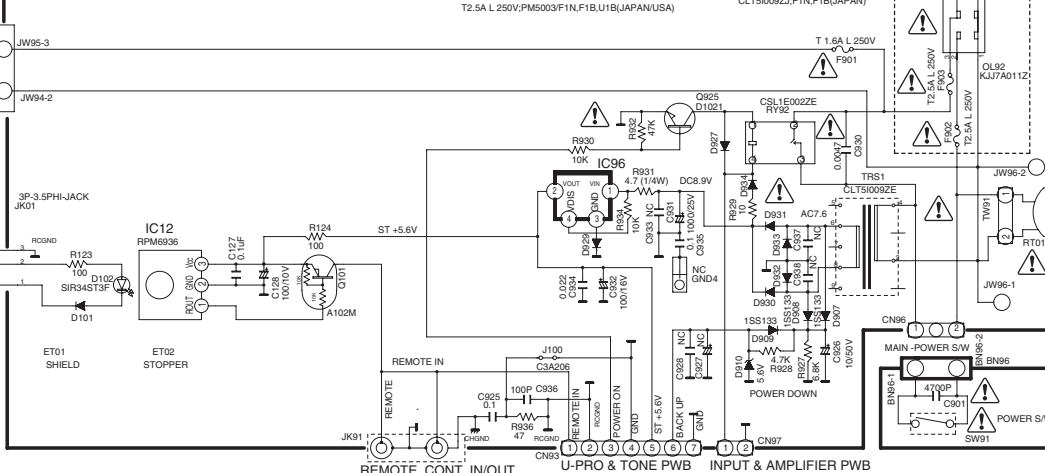
# U-PRO & TONE PWB



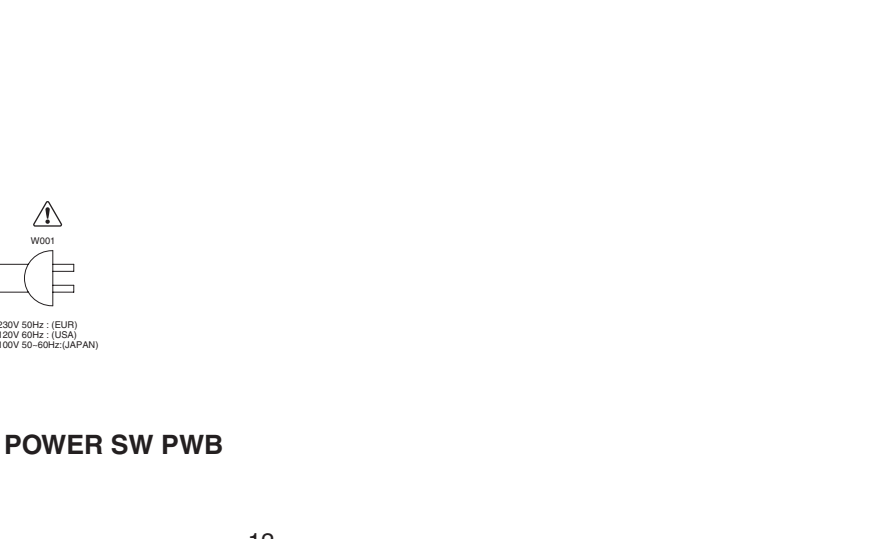
# MASTER VOLUME PWB



# SUB TRANSF. PWB



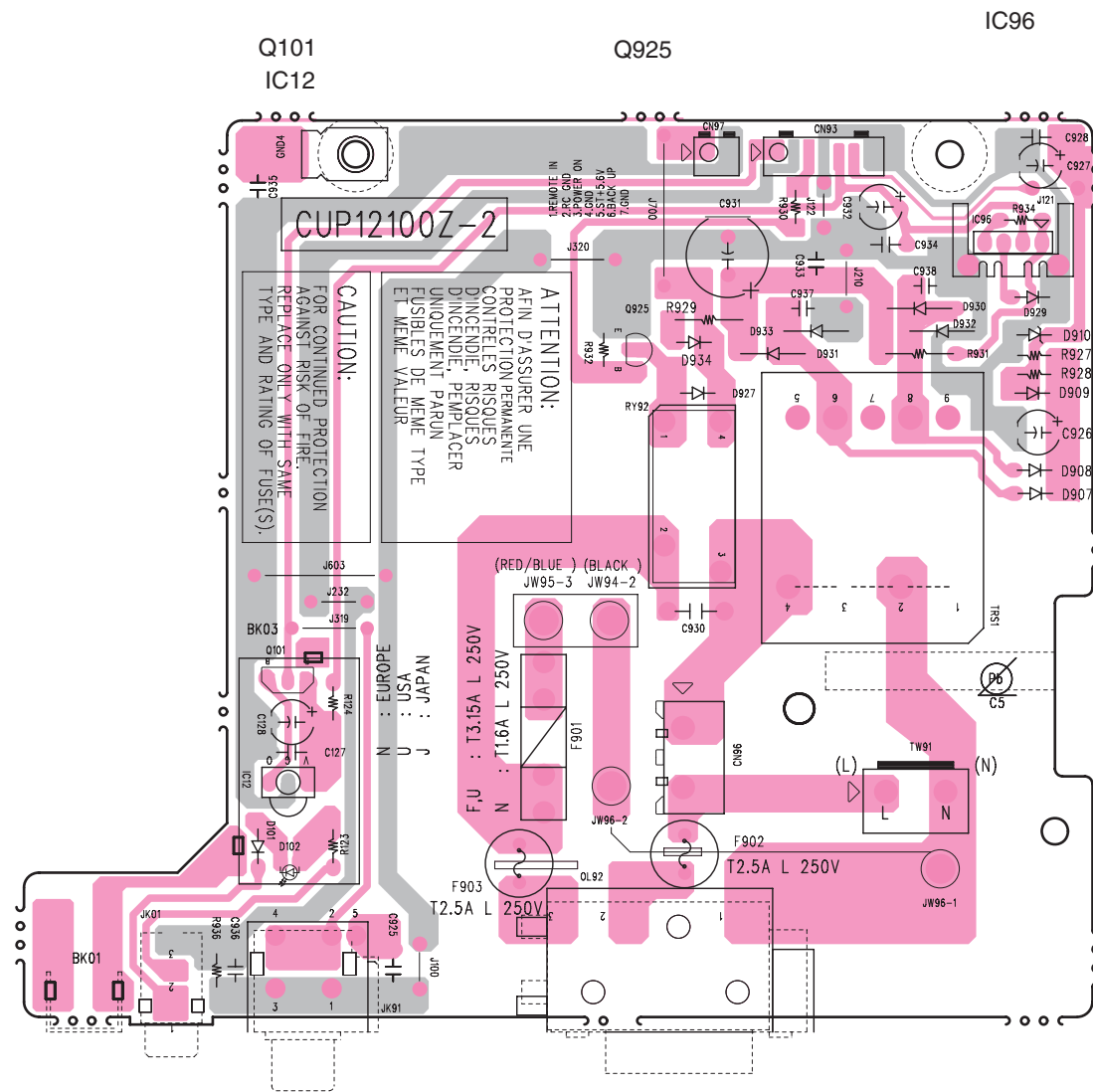
# POWER SW PWB



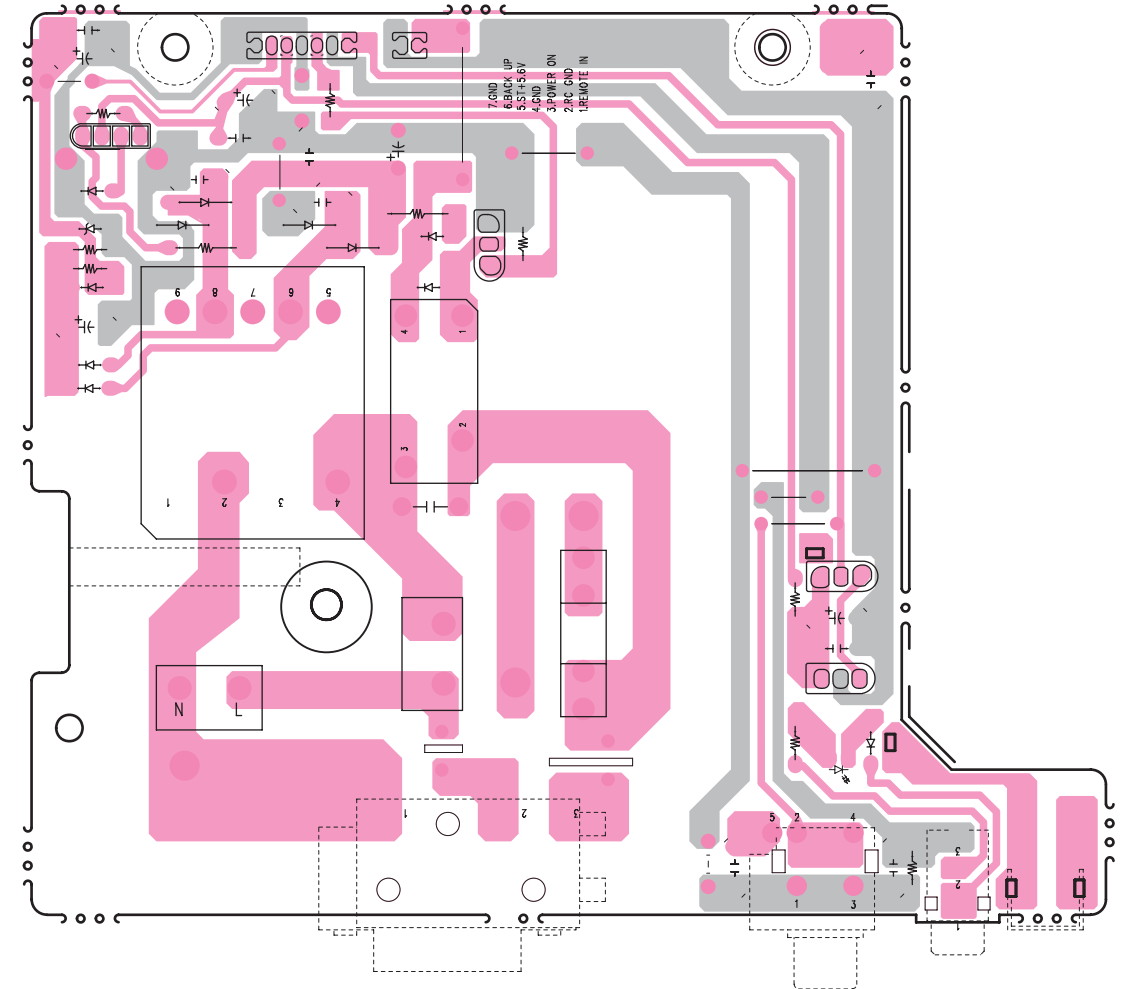
IMPORANT SAFETY NOTICE.  
 COMPONENT IDENTIFIED BY MARK HAVE SPECIAL CHARACTERISTICS.  
 IMPORTANT FOR SAFETY. WHEN REPLACING ANY OF THESE COMPONENTS  
 USE ONLY MANUFACTURER'S SPECIFIED PARTS.  
 \*\* THE UNIT OF RESISTANCE IS OHM.  
 K = 1000 OHM. M = 1000KOHM.  
 \*\* THE UNIT OF CAPACITANCE IS MICROFARAD(μF)  
 pF = 10<sup>-6</sup> μF  
 \*\* THIS SCHEMATIC DIAGRAM MAY MODIFIED AT ANY TIME WITH THE  
 IMPROVEMENT OF PERFORMANCE.

## 7. PARTS LOCATION

### SUB TRANSF. A PWB



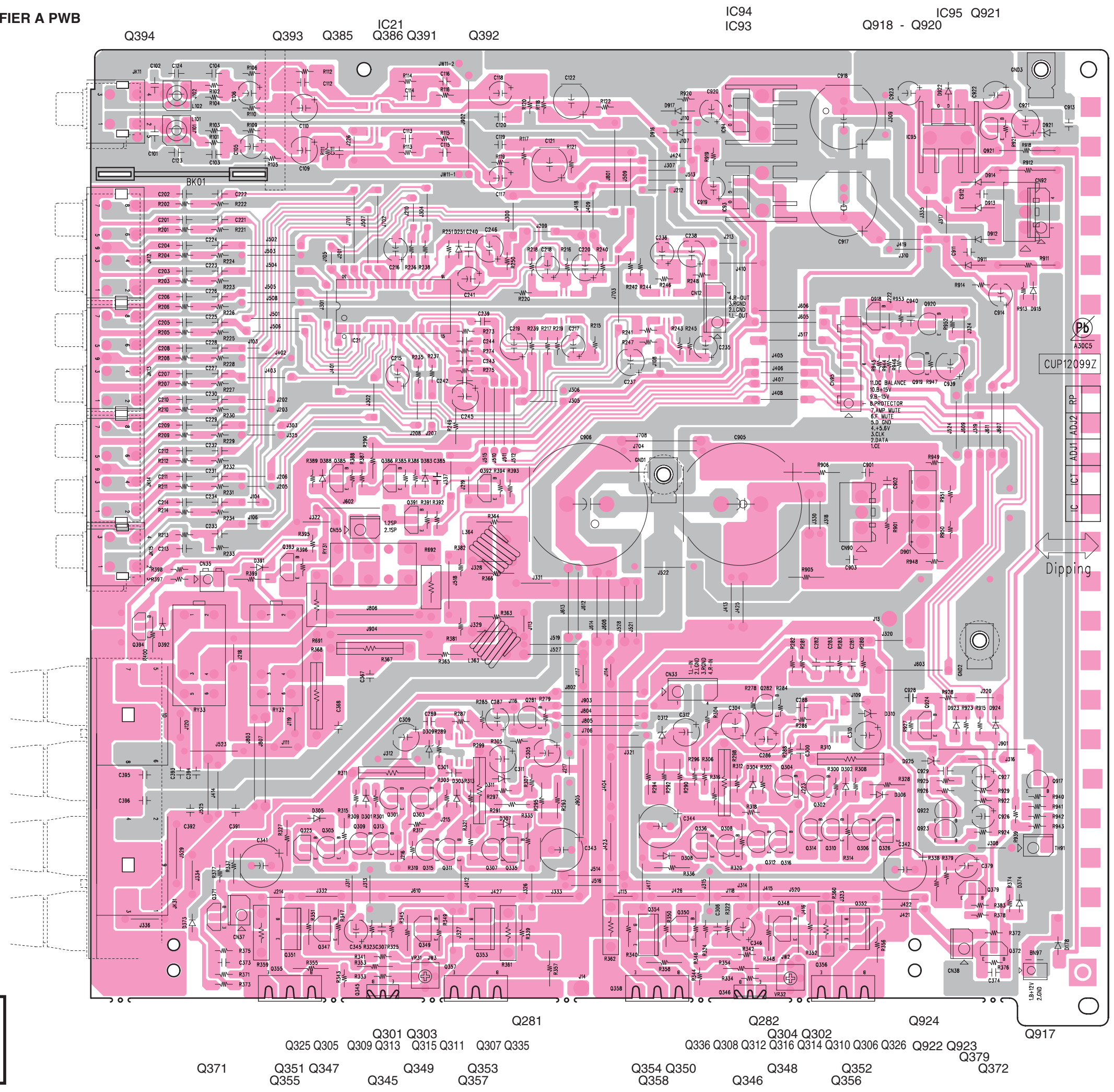
### SUB TRANSF. B PWB



**鉛フリー半田**  
半田付けには、鉛フリー半田 (Sn-Ag-Cu) を使用してください。

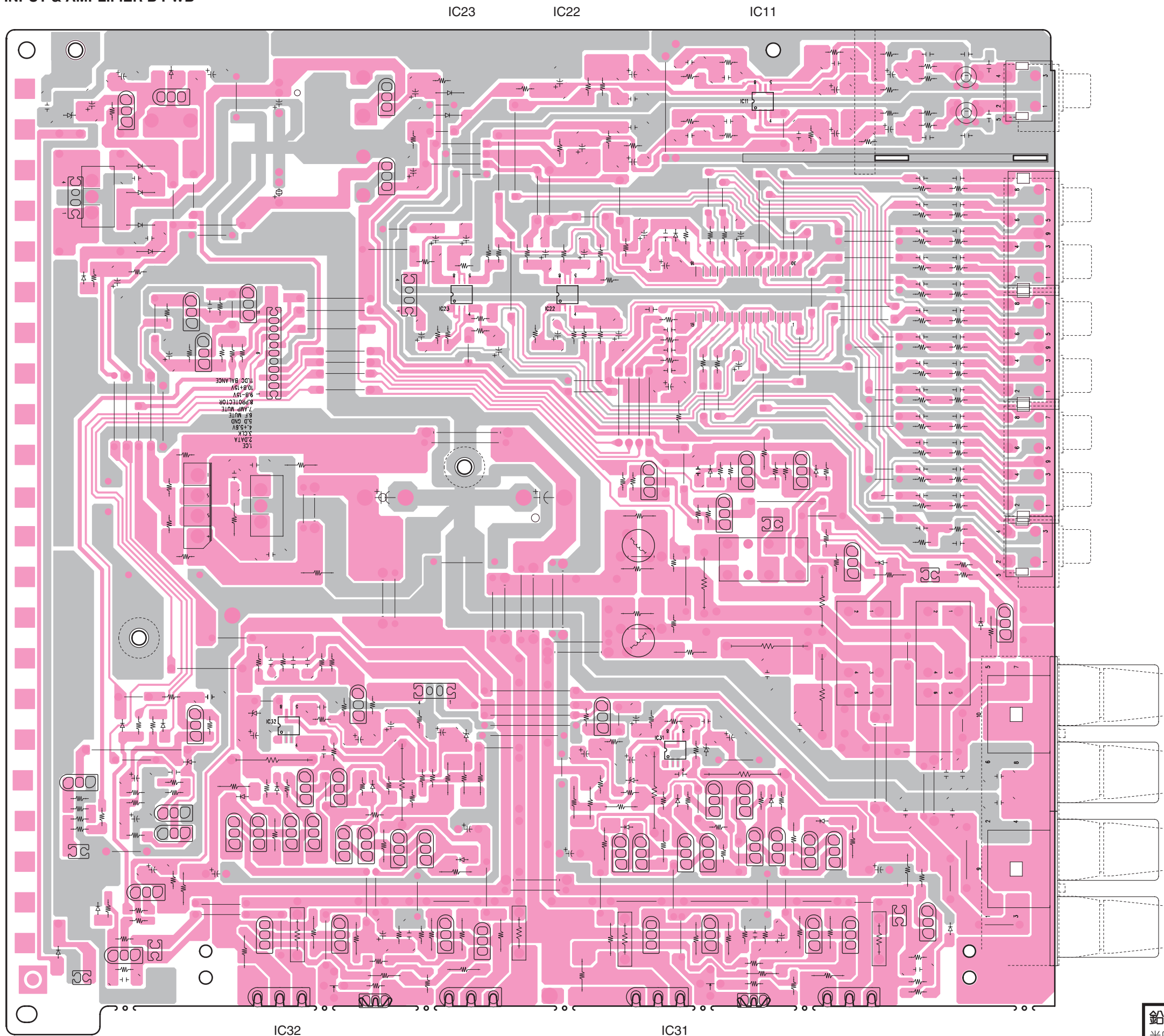
**Lead-free Solder**  
When soldering, use the Lead-free Solder (Sn-Ag-Cu).

INPUT & AMPLIFIER A PWB



鉛フリー半田  
半田付けには、鉛フリー半田 (Sn-Ag-Cu) を使用してください。

**Lead-free Solder**  
When soldering, use the Lead-free Solder (Sn-Ag-Cu).

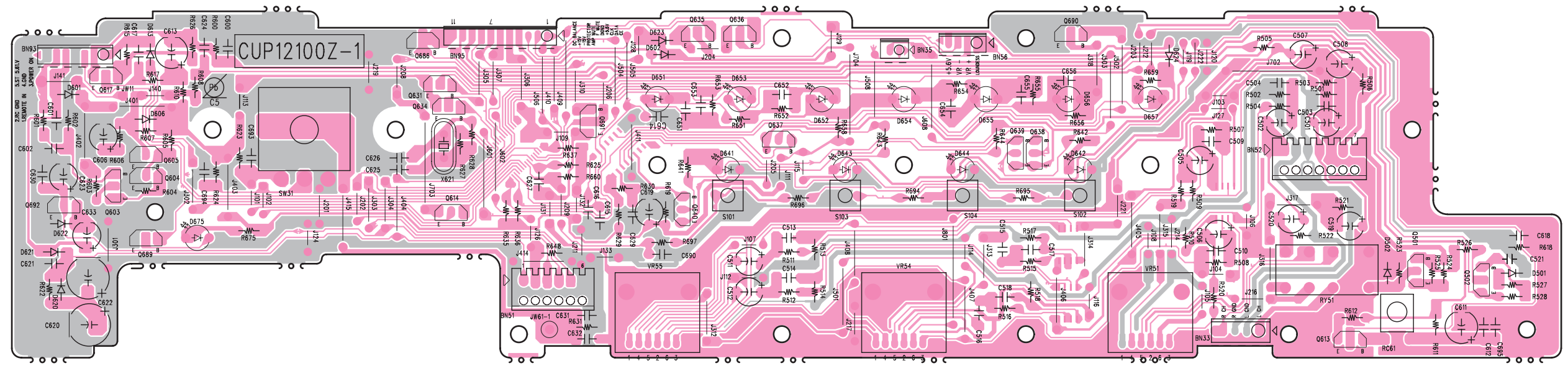


**鉛フリー半田**  
半田付けには、鉛フリー半田 (Sn-Ag-Cu) を使用してください。

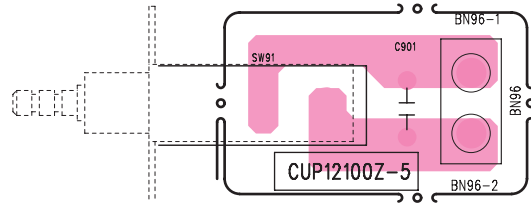
**Lead-free Solder**  
When soldering, use the Lead-free Solder (Sn-Ag-Cu).

**U-PRO & TONE A PWB**

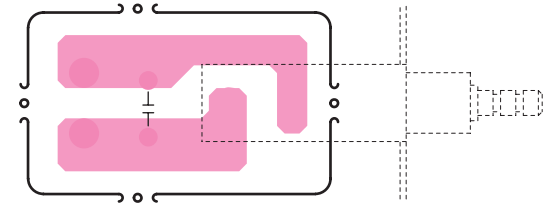
Q617 Q605 Q692 Q603 Q604 Q689  
 Q686 Q631 Q634 Q614 Q691 Q635 Q636 Q640 Q637 Q690 Q639 Q638  
 Q613 Q501 Q502



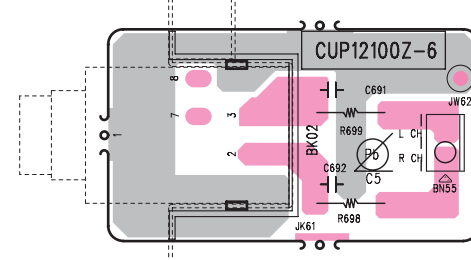
**POWER SW A PWB**



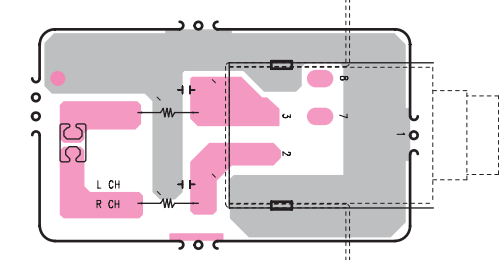
**POWER SW B PWB**



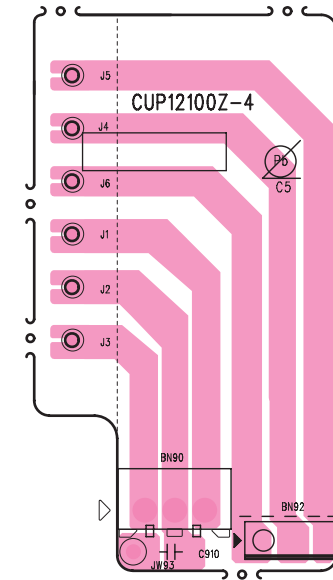
**HEADPHONE A PWB**



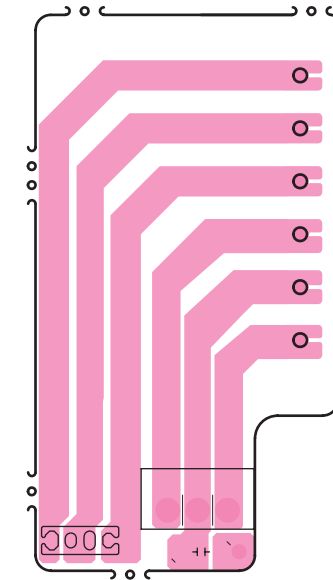
**HEADPHONE B PWB**



**TRANSF.1 A PWB**

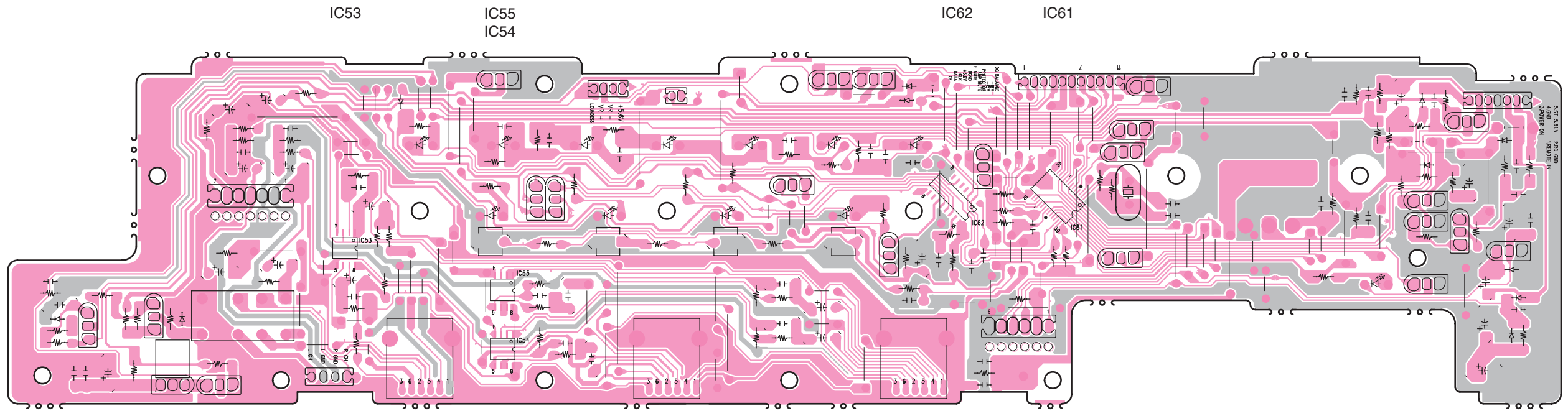


**TRANSF.1 B PWB**

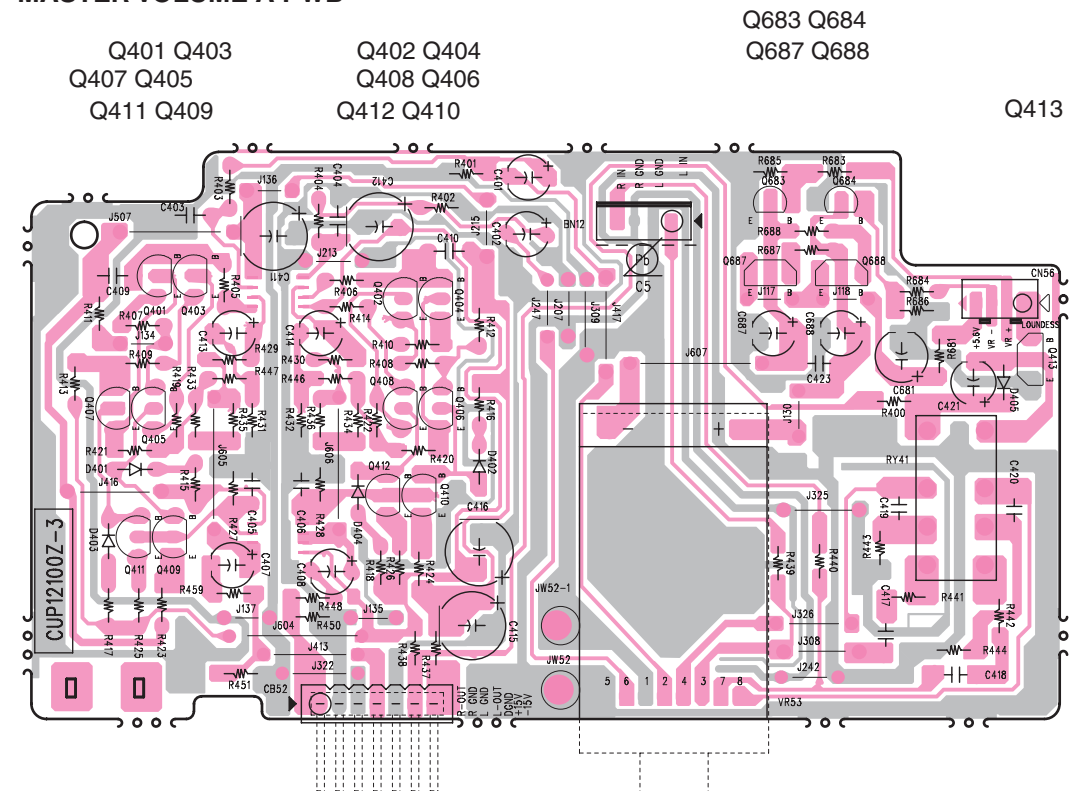


**鉛フリー半田**  
 半田付けには、鉛フリー半田 (Sn-Ag-Cu) を使用してください。  
**Lead-free Solder**  
 When soldering, use the Lead-free Solder (Sn-Ag-Cu).

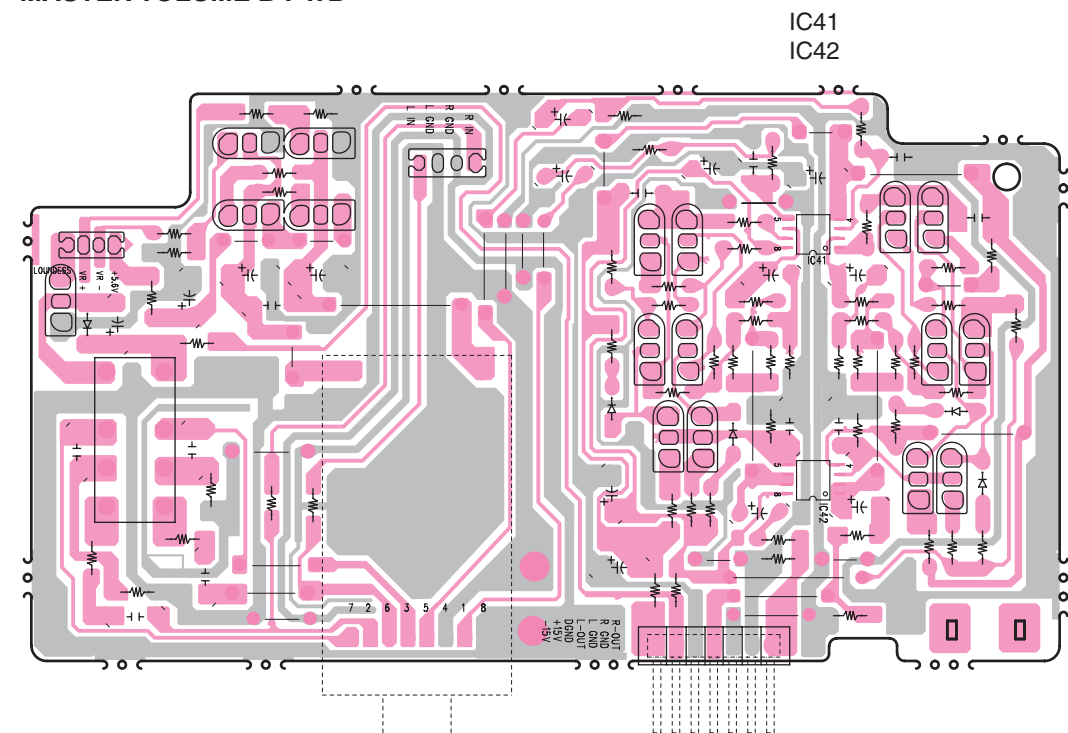
U-PRO & TONE B PWB



MASTER VOLUME A PWB



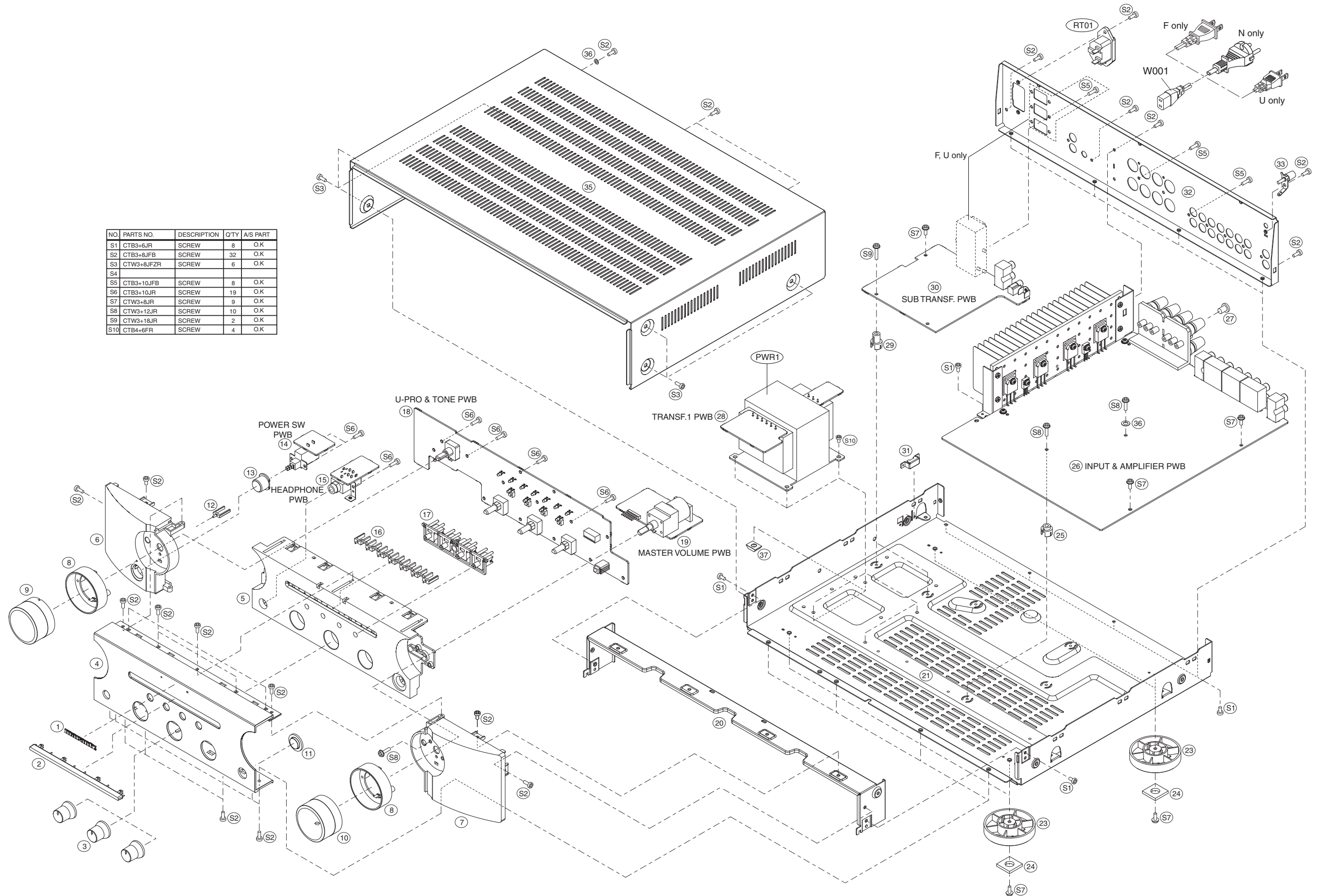
MASTER VOLUME B PWB



鉛フリー半田  
半田付けには、鉛フリー半田 (Sn-Ag-Cu) を使用してください。  
**Lead-free Solder**  
When soldering, use the Lead-free Solder (Sn-Ag-Cu).

## 8. EXPLODED VIEW AND PARTS LIST

NO.	PARTS NO.	DESCRIPTION	QTY	A/S PART
S1	CTB3+6JR	SCREW	8	O.K
S2	CTB3+8JFB	SCREW	32	O.K
S3	CTW3+8JFZR	SCREW	6	O.K
S4				
S5	CTB3+10JFB	SCREW	8	O.K
S6	CTB3+10JR	SCREW	19	O.K
S7	CTW3+8JR	SCREW	9	O.K
S8	CTW3+12JR	SCREW	10	O.K
S9	CTW3+18JR	SCREW	2	O.K
S10	CTB4+6FR	SCREW	4	O.K





P.W.B. NAME	POS. NO.	VERS. COLOR	PART NO. (FOR EUR)	PART NO. (MZ)	PART NAME	DESCRIPTION	
	1		421410006004M	421410006004M	BADGE	MARANTZ BADGE (AL) M1 MODEL	CGB1A206
	2		943416003900M	943416003900M	WINDOW	FUNCTION WINDOW	CGU1A425A12
	3	F B	nsp	943412003910M	KNOB	BALANCE KNOB BL	CBN1A224B37
	3	F N	nsp	943412003920M	KNOB	BALANCE KNOB SG	CBN1A224RMD10
	3	/N1B	943412003910M	943412003910M	KNOB	BALANCE KNOB BL	CBN1A224B37
	3	/N1SG	943412003920M	943412003920M	KNOB	BALANCE KNOB SG	CBN1A224RMD10
	3	/U1B	nsp	943412003910M	KNOB	BALANCE KNOB BL	CBN1A224B37
	4	F B	nsp	943402003930M	PANEL	FRONT PANEL AL PM5003 BL	CKM1A204ZC23
	4	F N	nsp	943402003940M	PANEL	FRONT PANEL AL PM5003 SG	CKM1A204YC62
	4	/N1B	943402003930M	943402003930M	PANEL	FRONT PANEL AL PM5003 BL	CKM1A204ZC23
	4	/N1SG	943402003940M	943402003940M	PANEL	FRONT PANEL AL PM5003 SG	CKM1A204YC62
	4	/U1B	nsp	943402003930M	PANEL	FRONT PANEL AL PM5003 BL	CKM1A204ZC23
	5	F B	nsp	943402003950M	CHASSIS	PANEL SUB MOLD BL PM5003	CGW1A465B37
	5	F N	nsp	943402003960M	CHASSIS	PANEL SUB MOLD SG PM5003	CGW1A465RMD10
	5	/N1B	943402003950M	943402003950M	CHASSIS	PANEL SUB MOLD BL PM5003	CGW1A465B37
	5	/N1SG	943402003960M	943402003960M	CHASSIS	PANEL SUB MOLD SG PM5003	CGW1A465RMD10
	5	/U1B	nsp	943402003950M	CHASSIS	PANEL SUB MOLD BL PM5003	CGW1A465B37
	6	F B	nsp	943422003970M	ESCUTCHEON	ESCUTCHEON L ON/OFF BL	CGW1A467RNZB37
	6	F N	nsp	943422003980M	ESCUTCHEON	ESCUTCHEON L ON/OFF SG	CGW1A467ROYD10
	6	/N1B	943422003970M	943422003970M	ESCUTCHEON	ESCUTCHEON L ON/OFF BL	CGW1A467RNZB37
	6	/N1SG	943422003980M	943422003980M	ESCUTCHEON	ESCUTCHEON L ON/OFF SG	CGW1A467ROYD10
	6	/U1B	nsp	943422003970M	ESCUTCHEON	ESCUTCHEON L ON/OFF BL	CGW1A467RNZB37
	7	F B	nsp	943422003990M	ESCUTCHEON	ESCUTCHEON R BL	CGW1A466RNZB37
	7	F N	nsp	943422004000M	ESCUTCHEON	ESCUTCHEON R SG	CGW1A466ROYD10
	7	/N1B	943422003990M	943422003990M	ESCUTCHEON	ESCUTCHEON R BL	CGW1A466RNZB37
	7	/N1SG	943422004000M	943422004000M	ESCUTCHEON	ESCUTCHEON R SG	CGW1A466ROYD10
	7	/U1B	nsp	943422003990M	ESCUTCHEON	ESCUTCHEON R BL	CGW1A466RNZB37
	8	F B	nsp	943412002830M	ESCUTCHEON	INPUT RING BL	CGR1A456B37
	8	F N	nsp	943412002840M	ESCUTCHEON	INPUT RING SG	CGR1A456RMD10
	8	/N1B	943412002830M	943412002830M	ESCUTCHEON	INPUT RING BL	CGR1A456B37
	8	/N1SG	943412002840M	943412002840M	ESCUTCHEON	INPUT RING SG	CGR1A456RMD10
	8	/U1B	nsp	943412002830M	ESCUTCHEON	INPUT RING BL	CGR1A456B37
	9	F B	nsp	943412002810M	KNOB	INPUT KNOB BL	CGK1A138ZA
	9	F N	nsp	943412002820M	KNOB	INPUT KNOB SG	CGK1A138YA
	9	/N1B	943412002810M	943412002810M	KNOB	INPUT KNOB BL	CGK1A138ZA
	9	/N1SG	943412002820M	943412002820M	KNOB	INPUT KNOB SG	CGK1A138YA
	9	/U1B	nsp	943412002810M	KNOB	INPUT KNOB BL	CGK1A138ZA
	10	F B	nsp	943412004010M	KNOB	VOLUME KNOB ASSY BL PM5003	CGK1A137ZA
	10	F N	nsp	943412004020M	KNOB	VOLUME KNOB ASSY SG PM5003	CGK1A137YA
	10	/N1B	943412004010M	943412004010M	KNOB	VOLUME KNOB ASSY BL PM5003	CGK1A137ZA
	10	/N1SG	943412004020M	943412004020M	KNOB	VOLUME KNOB ASSY SG PM5003	CGK1A137YA
	10	/U1B	nsp	943412004010M	KNOB	VOLUME KNOB ASSY BL PM5003	CGK1A137ZA
	11	F B	nsp	481510004009M	WINDOW	IR LENS	CGU1A424A12
	11	F N	nsp	481510004047M	WINDOW	IR LENS	CGU1A424
	11	/N1B	481510004009M	481510004009M	WINDOW	IR LENS	CGU1A424A12
	11	/N1SG	481510004047M	481510004047M	WINDOW	IR LENS	CGU1A424
	11	/U1B	nsp	481510004009M	WINDOW	IR LENS	CGU1A424A12
	12		481510003006M	481510003006M	LENS	LENS POWER INDICATOR	CGL1A274
	13	F B	nsp	411510016027M	BUTTON	BUTTON POWER PUSH BL	CBC1A166
	13	F N	nsp	943411001970M	BUTTON	BUTTON POWER SW SG	CBC1A166RMD10
	13	/N1B	411510016027M	411510016027M	BUTTON	BUTTON POWER PUSH BL	CBC1A166
	13	/N1SG	943411001970M	943411001970M	BUTTON	BUTTON POWER SW SG	CBC1A166RMD10
	13	/U1B	nsp	411510016027M	BUTTON	BUTTON POWER PUSH BL	CBC1A166
	14	F B	nsp	nsp	PWB ASSY	POWER SW PWB ASSY	COP12100F
	14	F N	nsp	nsp	PWB ASSY	POWER SW PWB ASSY	COP12100F
	14	/N1B	nsp	nsp	PWB ASSY	POWER SW PWB ASSY	COP12100N
	14	/N1SG	nsp	nsp	PWB ASSY	POWER SW PWB ASSY	COP12100N
	14	/U1B	nsp	nsp	PWB ASSY	POWER SW PWB ASSY	COP12100U
	15	F B	nsp	nsp	PWB ASSY	HEADPHONE PWB ASSY	COP12100F
	15	F N	nsp	nsp	PWB ASSY	HEADPHONE PWB ASSY	COP12100F
	15	/N1B	nsp	nsp	PWB ASSY	HEADPHONE PWB ASSY	COP12100N
	15	/N1SG	nsp	nsp	PWB ASSY	HEADPHONE PWB ASSY	COP12100N
	15	/U1B	nsp	nsp	PWB ASSY	HEADPHONE PWB ASSY	COP12100U
	16		nsp	nsp	LENS	INDICATOR FUNCTION	CGL1A276
	17	F B	nsp	943412004050M	BUTTON	SPEAKER BUTTON BL	CBT1A1085ZA
	17	F N	nsp	943412004060M	BUTTON	SPEAKER BUTTON SG	CBT1A1085YA
	17	/N1B	943412004050M	943412004050M	BUTTON	SPEAKER BUTTON BL	CBT1A1085ZA

NOTE : \*nsp\* PART IS LISTED FOR REFERENCE ONLY, MARANTZ WILL NOT SUPPLY THESE PARTS.

P.W.B. NAME	POS. NO.	VERS. COLOR	PART NO. (FOR EUR)	PART NO. (MZ)	PART NAME	DESCRIPTION	
	17	/N1SG	943412004060M	943412004060M	BUTTON	SPEAKER BUTTON SG	CBT1A1085YA
	17	/U1B	nsp	943412004050M	BUTTON	SPEAKER BUTTON BL	CBT1A1085ZA
	18	F B	nsp	nsp	PWB ASSY	U-PRO & TONE PWB ASSY	COP12100F
	18	F N	nsp	nsp	PWB ASSY	U-PRO & TONE PWB ASSY	COP12100F
	18	/N1B	nsp	nsp	PWB ASSY	U-PRO & TONE PWB ASSY	COP12100N
	18	/N1SG	nsp	nsp	PWB ASSY	U-PRO & TONE PWB ASSY	COP12100N
	18	/U1B	nsp	nsp	PWB ASSY	U-PRO & TONE PWB ASSY	COP12100U
	19	F B	nsp	nsp	PWB ASSY	MASTER VOLUME PWB ASSY	COP12100F
	19	F N	nsp	nsp	PWB ASSY	MASTER VOLUME PWB ASSY	COP12100F
	19	/N1B	nsp	nsp	PWB ASSY	MASTER VOLUME PWB ASSY	COP12100N
	19	/N1SG	nsp	nsp	PWB ASSY	MASTER VOLUME PWB ASSY	COP12100N
	19	/U1B	nsp	nsp	PWB ASSY	MASTER VOLUME PWB ASSY	COP12100U
	20		nsp	nsp	STAY	FRAME FRONT	CUF1A004
	21		nsp	nsp	CHASSIS		CUA1A288
	23		00M243W057210	00M243W057210	LEG	LEG FOR SILVER	CKL2A042H46
	24		00M32CW107010	00M32CW107010	SHEET	CUSHION FOOT	CHG1A360
	25		nsp	nsp	HOLDER	HOLDER PWB	CHE170
	26	F B	nsp	nsp	PWB ASSY	INPUT & AMPLIFIER PWB ASSY	COP12099F
	26	F N	nsp	nsp	PWB ASSY	INPUT & AMPLIFIER PWB ASSY	COP12099F
	26	/N1B	nsp	nsp	PWB ASSY	INPUT & AMPLIFIER PWB ASSY	COP12099N
	26	/N1SG	nsp	nsp	PWB ASSY	INPUT & AMPLIFIER PWB ASSY	COP12099N
	26	/U1B	nsp	nsp	PWB ASSY	INPUT & AMPLIFIER PWB ASSY	COP12099U
	27		nsp	nsp	SUPPORT	LOCKER SH08M790BO	CRE1A037
	28	F B	nsp	nsp	PWB ASSY	TRANSF.1 PWB ASSY	COP12100F
	28	F N	nsp	nsp	PWB ASSY	TRANSF.1 PWB ASSY	COP12100F
	28	/N1B	nsp	nsp	PWB ASSY	TRANSF.1 PWB ASSY	COP12100N
	28	/N1SG	nsp	nsp	PWB ASSY	TRANSF.1 PWB ASSY	COP12100N
	28	/U1B	nsp	nsp	PWB ASSY	TRANSF.1 PWB ASSY	COP12100U
	29		nsp	nsp	HOLDER	HOLDER PWB	CHE1A030
	30	F B	nsp	nsp	PWB ASSY	SUB TRANSF. PWB ASSY	COP12100F
	30	F N	nsp	nsp	PWB ASSY	SUB TRANSF. PWB ASSY	COP12100F
	30	/N1B	nsp	nsp	PWB ASSY	SUB TRANSF. PWB ASSY	COP12100N
	30	/N1SG	nsp	nsp	PWB ASSY	SUB TRANSF. PWB ASSY	COP12100N
	30	/U1B	nsp	nsp	PWB ASSY	SUB TRANSF. PWB ASSY	COP12100U
	31		nsp	nsp	COVER	COVER SCREW	CMD1A495
	32	F B	nsp	nsp	PANEL	REAR PANEL PM5003 F	CKF1A391Y
	32	F N	nsp	nsp	PANEL	REAR PANEL PM5003 F	CKF1A391Y
	32	/N1B	nsp	nsp	PANEL	REAR PANEL PM5003 N	CKF2A391X
	32	/N1SG	nsp	nsp	PANEL	REAR PANEL PM5003 N	CKF2A391X
	32	/U1B	nsp	nsp	PANEL	REAR PANEL PM5003 U	CKF1A391Z
	33		nsp	nsp	TERMINAL	GND TERMINAL	KMA1A006
	36		nsp	nsp	WASHER	WASHER GROUND COPPER	CNW1A035
	37		nsp	nsp	BUFFER	RUBBER	CHG1A113
	▲ PWR1	F B	nsp	943101004100S	TRANSF.	# TRANSF. POWER PM5003 F	CLT5R028XJ
	▲ PWR1	F N	nsp	943101004100S	TRANSF.	# TRANSF. POWER PM5003 F	CLT5R028XJ
	▲ PWR1	/N1B	90M-TS003140R	90M-TS003140R	TRANSF.	# TRANSF.POWER FOR N CLT5R028XW	CLT5R028XW
	▲ PWR1	/N1SG	90M-TS003140R	90M-TS003140R	TRANSF.	# TRANSF.POWER FOR N CLT5R028XW	CLT5R028XW
	▲ PWR1	/U1B	nsp	943101004110S	TRANSF.	# TRANSF. POWER PM5003 U	CLT5R028XU
	▲ RT01		00MYJ04002640	00MYJ04002640	INLET	! R-301(21) AC INLET	CJJ8A006ZW
	TW91		nsp	nsp	CORD	2P WIRE ASSY 100MM	CWZPM5003TW91A
<b>PACKING</b>							
			307010030006M	307010030006M	UNIT KIT	REMOTE CONTROLLER RC003PM	CARTPM5003
		F B	nsp	541110121015M	USER GUIDE	USER GUIDE PM5003 F	CQX1A1350Z
		F N	nsp	541110121015M	USER GUIDE	USER GUIDE PM5003 F	CQX1A1350Z
		/N1B	541110121039M	541110121039M	USER GUIDE	USER GUIDE PM5003 N	CQX1A1348Z
		/N1SG	541110121039M	541110121039M	USER GUIDE	USER GUIDE PM5003 N	CQX1A1348Z
		/U1B	nsp	541110121022M	USER GUIDE	USER GUIDE PM5003 U	CQX1A1349Z
	▲ W001	F B	nsp	90M-ZC000350R	MAINS CORD	! MAINS CORD 12A/125V	CJA2J076Z
	▲ W001	F N	nsp	90M-ZC000350R	MAINS CORD	! MAINS CORD 12A/125V	CJA2J076Z
	▲ W001	/N1B	90M-ZC000320R	90M-ZC000320R	MAINS CORD	! MAINS CORD 2WIRE 10A/250V	CJA2B054Z
	▲ W001	/N1SG	90M-ZC000320R	90M-ZC000320R	MAINS CORD	! MAINS CORD 2WIRE 10A/250V	CJA2B054Z
	▲ W001	/U1B	nsp	90M-ZC000310R	MAINS CORD	! MAINS CORD UL 032508/12	CJA2A070Z
<b>NOT STANDARD SPARE PART</b>							
			nsp	00M01DW801010	PACKING CASE	PACKING CASE PM5003	CPG1A866Z
			nsp	943533002300M	CUSHION	CUSHION CD5003	CPS1A821
	35	F B	nsp	943401002850M	LID	TOP COVER BL	CKC1A187K117
	35	F N	nsp	943401002860M	LID	TOP COVER SG	CKC1A187D11

NOTE : "nsp" PART IS LISTED FOR REFERENCE ONLY, MARANTZ WILL NOT SUPPLY THESE PARTS.

P.W.B. NAME	POS. NO.	VERS. COLOR	PART NO. (FOR EUR)	PART NO. (MZ)	PART NAME	DESCRIPTION
	35	/N1B	nsp	943401002850M	LID	TOP COVER BL CKC1A187K117
	35	/N1SG	nsp	943401002860M	LID	TOP COVER SG CKC1A187D11
	35	/U1B	nsp	943401002850M	LID	TOP COVER BL CKC1A187K117

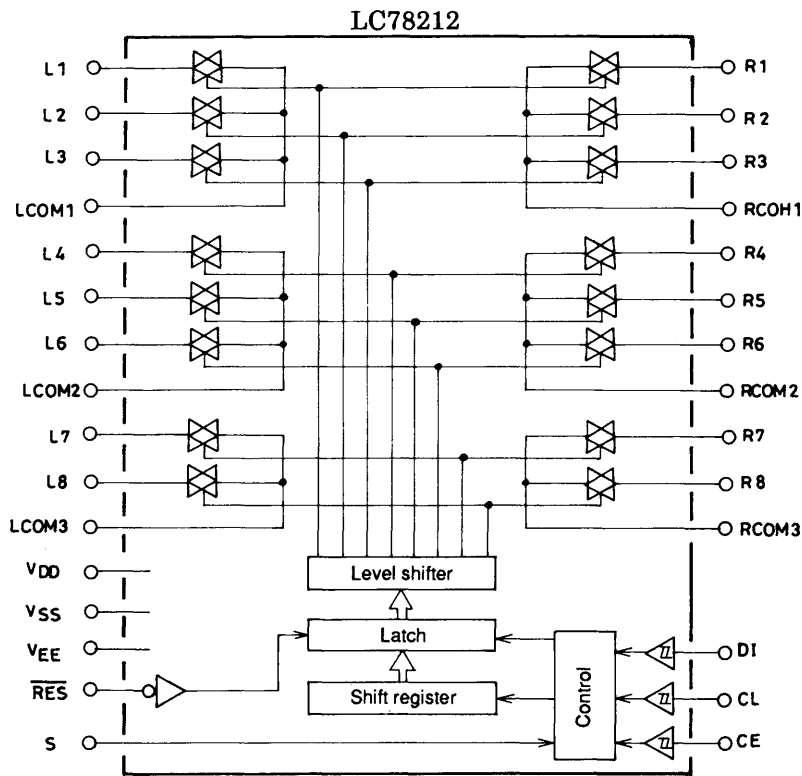
NOTE : \*nsp\* PART IS LISTED FOR REFERENCE ONLY, MARANTZ WILL NOT SUPPLY THESE PARTS.

## 9. MICROPROCESSOR AND IC DATA

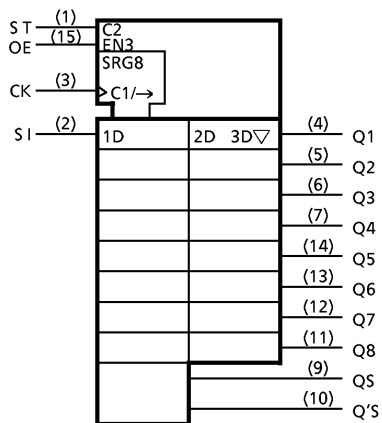
### IC61 : TMP86FH12MG

PIN No	NAME	I/O	ACTIVE	DESCRIPTION
1	VSS	-		Digital GND Voltage
2	XIN	I		Oscillator Input Port
3	XOUT	O		Oscillator Output Port
4	TEST	I	H	Fixed to high
5	VDD	-		Power Supply Port (+5V)
6	P_AMUTE	O	L	POWER AUDIO MUTE Control Port ("L")
7	P_FMUTE	O	L	POWER FUNCTION MUTE Control Port ("L")
8	RESET	I	L	Reset Input Port ("L")
9	BACK UP	I	L	BACK_UP Mode Control Port ("L")
10	MD/TAPE_LED	O	H	MD/TAPE_LED Control Port("H")
11	CD_R_LED	O	L	CD_R_LED Control Port
12	AUX/DVD_LED	O	L	AUX/DVD_LED Control Port
13	TUNER_LED	O	L	TUNER_LED Control Port
14	CD_LED	O	L	CD_LED Control Port
15	PHONO_LED	O	L	PHONO_LED Control Port
16	MUTE_LED	O	L	MUTE_LED Control Port ("L")
17	REMOTE(EXT)	I	L	REMOTE Input Port
18	REMOTE(EXT)	I	L	REMOTE Input Port
19	VR_UP	O	L	VR_UP Control Port
20	VR_DOWN	O	L	VR_DOWN Control Port
21	POWER_ON	O	H	Unit Power On Control Port ("H")
22	PROTECT IN	I	L	PROTECT Input Port("L")
23	REC_SEL	I	L	REC_SELECT Input Port
24	STANDBY_LED	O	H	STANDBY_LED Control Port ("H")
25	P23(AIN2)	-	-	NO Connection Port
26	EN1(SCROLL_DN)	I	L	Scroll Down Control Port
27	EN2(SCROLL_UP)	I	L	Scroll Up Control Port
28	CE1	I	H	Chip Enable"1" Control Port
29	DATA	I	L	Data Input Port
30	CLK	O	L	Clock Output Port

IC21 : LC78212



IC62 : TC74HC4094AFN



CK	OE	ST	SI	PARA. OUT		SERI. OUT	
				Q1	Qn	Qs	Q's
	H	H	L	L	Qn - 1	Q7	NC
	H	H	H	H	Qn - 1	Q7	NC
	H	L	*	NC	NC	Q7	NC
	L	*	*	Z	Z	Q7	NC
	H	*	*	NC	NC	NC	Qs
	L	*	*	Z	Z	NC	Qs

X : DON'T CARE  
 NC : NO CHANGE  
 Z : HIGH IMPEDANCE

# 10. ELECTRICAL PARTS LIST

## PARTS INFORMATION

### RESISTORS

- 1) 00MGD05 × × × 140, Carbon film fixed resistor, ±5% 1/4W
- 2) 00MGD05 × × × 160, Carbon film fixed resistor, ±5% 1/6W

① — Resistance value

Examples ;

- ① Resistance value
  - 0.1Ω .... 001    10Ω .... 100    1kΩ .... 102    100kΩ .... 104
  - 0.5Ω .... 005    18Ω .... 180    2.7kΩ .... 272    680kΩ .... 684
  - 1Ω .... 010    100Ω .... 101    10kΩ .... 103    1MΩ .... 105
  - 6.8Ω .... 068    390Ω .... 391    22kΩ .... 223    4.7MΩ .... 475

**Note :** Please distinguish 1/4W from 1/6W by the shape of parts used actually.

### CAPACITORS

#### CERAMIC CAP.

- 3) 00MDD1 × × × × 370, Ceramic capacitor  
Disc type  
Temp.coeff.P350 ~ N1000, 50V
- ② — Capacity value  
③ — Tolerance

Examples ;

- ② Tolerance (Capacity deviation)
  - ±0.25pF.....0
  - ±0.5pF.....1
  - ±5%.....5

\* Tolerance of COMMON PARTS handled here are as follows :

- 0.5pF ~ 5pF .... ±0.25pF
- 6pF ~ 10pF .... ±0.5pF
- 12pF ~ 560pF .... ±5%

③ Capacity value

- 0.5pF .... 005    3pF .... 030    100pF .... 101
- 1pF .... 010    10pF .... 100    220pF .... 221
- 1.5pF .... 015    47pF .... 470    560pF .... 561

#### CERAMIC CAP.

- 4) 00MDK16 × × × 300, High dielectric constant ceramic capacitor  
Disc type  
Temp.chara. 2B4, 50V
- ④ — Capacity value

Examples ;

- ④ Capacity value
  - 100pF .... 101    1000pF .... 102    10000pF .... 103
  - 470pF .... 471    2200pF .... 222

#### ELECTROLY CAP. ( $\text{⏏}$ )

- 5) 00MEA × × × × × 10, Electrolytic capacitor  
One-way lead type, Tolerance ±20%
- ⑤ — Working voltage  
⑥ — Capacity value

Examples ;

- ⑤ Capacity value
  - 0.1μF.....104    4.7μF ....475    100μF ... 107
  - 0.33μF.....334    10μF .... 106    330μF ... 337
  - 1μF.....105    22μF ....226    1100μF ... 118
  - 2200μF ... 228
- ⑥ Working voltage
  - 6.3V.....006    25V ....025
  - 10V.....010    35V ....035
  - 16V.....016    50V ....050

#### FILM CAP. ( $\text{⏏}$ )

- 6) 00MDF15 × × × 350 Plastic film capacitor  
One-way type, Mylar ±5% 50V
  - 00MDF15 × × × 310 Plastic film capacitor  
One-way type, Mylar ±10% 50V
  - 00MDF16 × × × 310 Plastic film capacitor  
One-way type, Mylar ±10% 50V
- ⑦ — Capacity value

Examples ;

- ⑦ Capacity value
  - 0.001μF (1000pF) ..... 102    0.1μF .... 104
  - 0.0018μF..... 182    0.56μF .... 564
  - 0.01μF..... 103    1μF .... 105
  - 0.015μF..... 153

## NOTE ON SAFETY FOR FUSIBLE RESISTOR :

The suppliers and their type numbers of fusible resistors are as follows;

1. KOA Corporation

Part No. (MJI)	Type No. (KOA)	Description
00MNH05 × × × 140	RF25S × × × × ΩJ	(±5% 1/4W)
00MNH05 × × × 120	RF50S × × × × ΩJ	(±5% 1/2W)
00MNH85 × × × 110	RF73B2A × × × × ΩJ	(±5% 1/10W)
00MNH95 × × × 140	RF73B2E × × × × ΩJ	(±5% 1/4W)

\* Resistance value    Resistance value (0.1 – 10kΩ)

2. Matsushita Electronic Components Co., Ltd

Part No. (MJI)	Type No. (MEC)	Description
00MNF05 × × × 140	ERD-2FCJ × × ×	(±5% 1/4W)
00MRF05 × × × 140		
00MNF02 × × × 140	ERD-2FCG × × ×	(±2% 1/4W)
00MRF02 × × × 140		

\* Resistance value    \* Resistance value

Examples ;

* Resistance value	0.1Ω .... 001	10Ω .... 100	1kΩ .... 102	100kΩ .... 104
	0.5Ω .... 005	18Ω .... 180	2.7kΩ .... 272	680kΩ .... 684
	1Ω .... 010	100Ω .... 101	10kΩ .... 103	1MΩ .... 105
	6.8Ω .... 068	390Ω .... 391	22kΩ .... 223	4.7MΩ .... 475

## ABBREVIATION AND MARKS

ANT. : ANTENNA	BATT. : BATTERY
CAP. : CAPACITOR	CER. : CERAMIC
CONN. : CONNECTING	DIG. : DIGITAL
HP : HEADPHONE	MIC. : MICROPHONE
μ-PRO : MICROPROCESSOR	REC. : RECORDING
RES. : RESISTOR	SPK : SPEAKER
SW : SWITCH	TRANSF. : TRANSFORMER
TRIM. : TRIMMING	TRS. : TRANSISTOR
VAR. : VARIABLE	X'TAL : CRYSTAL

## NOTE ON FUSE :

Regarding to all parts of parts code 00MFS20xxx2xx, replace only with Wickmann-Werke GmbH, Type 372 non glass type fuse.

## NOTE ON SAFETY :

Symbol Fire or electrical shock hazard. Only original parts should be used to replaced any part marked with symbol . Any other component substitution (other than original type), may increase risk of fire or electrical shock hazard.

## 安全上の注意 :

がついている部品は、安全上重要な部品です。必ず指定されている部品番号の部品を使用して下さい。

P.W.B. NAME	POS. NO.	VERS. COLOR	PART NO. (FOR EUR)	PART NO. (MZ)	PART NAME	DESCRIPTION
<b>HEADPHOTNE PWB (CUP12100Z-6)</b>						
H/P	BK02		nsp	nsp	PLATE	SHIELD PLATE (H/P) CMC1A346
H/P	BN55		nsp	nsp	CORD	WIRE ASSY CWB1C902450BM
H/P	C691	/N1B	nsp	nsp	CER. CAP.	0.01UF 50V Z CCFT1H103ZF
H/P	C691	/N1SG	nsp	nsp	CER. CAP.	0.01UF 50V Z CCFT1H103ZF
H/P	C692	/N1B	nsp	nsp	CER. CAP.	0.01UF 50V Z CCFT1H103ZF
H/P	C692	/N1SG	nsp	nsp	CER. CAP.	0.01UF 50V Z CCFT1H103ZF
H/P	JK61		90M-YT004500R	90M-YT004500R	TERMINAL	JACK SILVER PJ-612A-51 CJJ2E026Z
H/P	JW62		nsp	nsp	CORD	WIRE ASSY CWZAH300JW74
H/P	R698		nsp	nsp	RES.	47 OHM 1/4W J CARBON CRD25TJ470T
H/P	R699		nsp	nsp	RES.	47 OHM 1/4W J CARBON CRD25TJ470T
<b>INPUT &amp; AMPLIFIER PWB (CUP12099Z)</b>						
INPUT	BK01		nsp	nsp	SHIELD	SHIELD PLATE CMD1A576
INPUT	BN97		nsp	nsp	CORD	2P WIRE ASSY 43MM CWB2B902430EN
INPUT	C101	/N1B	nsp	nsp	CER. CAP.	220PF 50V K CCBS1H221KBT
INPUT	C101	/N1SG	nsp	nsp	CER. CAP.	220PF 50V K CCBS1H221KBT
INPUT	C102	/N1B	nsp	nsp	CER. CAP.	220PF 50V K CCBS1H221KBT
INPUT	C102	/N1SG	nsp	nsp	CER. CAP.	220PF 50V K CCBS1H221KBT
INPUT	C103		nsp	nsp	CER. CAP.	220PF 50V K CCBS1H221KBT
INPUT	C104		nsp	nsp	CER. CAP.	220PF 50V K CCBS1H221KBT
INPUT	C105		nsp	00MOA10605020	ELECT CAP.	10UF 50V CCEA1HH100T
INPUT	C106		nsp	00MOA10605020	ELECT CAP.	10UF 50V CCEA1HH100T
INPUT	C109		nsp	00MOA22701620	ELECT CAP.	220UF 16V CCEA1CH221T
INPUT	C110		nsp	00MOA22701620	ELECT CAP.	220UF 16V CCEA1CH221T
INPUT	C111		nsp	nsp	FILM CAP.	0.039UF 100V J HCQI1H393JZT
INPUT	C112		nsp	nsp	FILM CAP.	0.039UF 100V J HCQI1H393JZT
INPUT	C113		nsp	nsp	FILM CAP.	0.01UF 100V J HCQI1H103JZT
INPUT	C114		nsp	nsp	FILM CAP.	0.01UF 100V J HCQI1H103JZT
INPUT	C115		nsp	nsp	FILM CAP.	1000PF 100V J MYLAR HCQI1H102JZT
INPUT	C116		nsp	nsp	FILM CAP.	1000PF 100V J MYLAR HCQI1H102JZT
INPUT	C117		nsp	00MOA22601620	ELECT CAP.	22UF 16V CCEA1CH220T
INPUT	C118		nsp	00MOA22601620	ELECT CAP.	22UF 16V CCEA1CH220T
INPUT	C119		nsp	nsp	FILM CAP.	2200PF 100V J HCQI1H222JZT
INPUT	C120		nsp	nsp	FILM CAP.	2200PF 100V J HCQI1H222JZT
INPUT	C121		nsp	00MOA22702520	ELECT CAP.	220UF 25V CCEA1EH221T
INPUT	C122		nsp	00MOA22702520	ELECT CAP.	220UF 25V CCEA1EH221T
INPUT	C123		nsp	nsp	CER. CAP.	0.1UF 50V Z CERAMIC CCBS1H104ZFT
INPUT	C124		nsp	nsp	CER. CAP.	0.1UF 50V Z CERAMIC CCBS1H104ZFT
INPUT	C201		nsp	nsp	CER. CAP.	0.022UF 50V Z CERAMIC CCBS1H223ZFT
INPUT	C202		nsp	nsp	CER. CAP.	0.022UF 50V Z CERAMIC CCBS1H223ZFT
INPUT	C203		nsp	nsp	CER. CAP.	0.022UF 50V Z CERAMIC CCBS1H223ZFT
INPUT	C204		nsp	nsp	CER. CAP.	0.022UF 50V Z CERAMIC CCBS1H223ZFT
INPUT	C205		nsp	nsp	CER. CAP.	0.022UF 50V Z CERAMIC CCBS1H223ZFT
INPUT	C206		nsp	nsp	CER. CAP.	0.022UF 50V Z CERAMIC CCBS1H223ZFT
INPUT	C207		nsp	nsp	CER. CAP.	0.022UF 50V Z CERAMIC CCBS1H223ZFT
INPUT	C208		nsp	nsp	CER. CAP.	0.022UF 50V Z CERAMIC CCBS1H223ZFT
INPUT	C209		nsp	nsp	CER. CAP.	0.022UF 50V Z CERAMIC CCBS1H223ZFT
INPUT	C210		nsp	nsp	CER. CAP.	0.022UF 50V Z CERAMIC CCBS1H223ZFT
INPUT	C211		nsp	nsp	CER. CAP.	0.022UF 50V Z CERAMIC CCBS1H223ZFT
INPUT	C212		nsp	nsp	CER. CAP.	0.022UF 50V Z CERAMIC CCBS1H223ZFT
INPUT	C213		nsp	nsp	CER. CAP.	0.022UF 50V Z CERAMIC CCBS1H223ZFT
INPUT	C214		nsp	nsp	CER. CAP.	0.022UF 50V Z CERAMIC CCBS1H223ZFT
INPUT	C215		nsp	00MOA10605020	ELECT CAP.	10UF 50V CCEA1HH100T
INPUT	C216		nsp	00MOA10605020	ELECT CAP.	10UF 50V CCEA1HH100T
INPUT	C217		nsp	00MOA10605020	ELECT CAP.	10UF 50V CCEA1HH100T
INPUT	C218		nsp	00MOA10605020	ELECT CAP.	10UF 50V CCEA1HH100T
INPUT	C219		nsp	00MOA22702520	ELECT CAP.	220UF 25V CCEA1EH221T
INPUT	C220		nsp	00MOA22702520	ELECT CAP.	220UF 25V CCEA1EH221T
INPUT	C221	/N1B	nsp	nsp	CER. CAP.	150PF 50V K CCBS1H151KBT
INPUT	C221	/N1SG	nsp	nsp	CER. CAP.	150PF 50V K CCBS1H151KBT
INPUT	C222	/N1B	nsp	nsp	CER. CAP.	150PF 50V K CCBS1H151KBT
INPUT	C222	/N1SG	nsp	nsp	CER. CAP.	150PF 50V K CCBS1H151KBT
INPUT	C223	/N1B	nsp	nsp	CER. CAP.	150PF 50V K CCBS1H151KBT
INPUT	C223	/N1SG	nsp	nsp	CER. CAP.	150PF 50V K CCBS1H151KBT
INPUT	C224	/N1B	nsp	nsp	CER. CAP.	150PF 50V K CCBS1H151KBT
INPUT	C224	/N1SG	nsp	nsp	CER. CAP.	150PF 50V K CCBS1H151KBT
INPUT	C225	/N1B	nsp	nsp	CER. CAP.	150PF 50V K CCBS1H151KBT

NOTE : "nsp" PART IS LISTED FOR REFERENCE ONLY, MARANTZ WILL NOT SUPPLY THESE PARTS.

P.W.B. NAME	POS. NO.	VERS. COLOR	PART NO. (FOR EUR)	PART NO. (MZ)	PART NAME	DESCRIPTION	
INPUT	C225	/N1SG	nsp	nsp	CER. CAP.	150PF 50V K	CCBS1H151KBT
INPUT	C226	/N1B	nsp	nsp	CER. CAP.	150PF 50V K	CCBS1H151KBT
INPUT	C226	/N1SG	nsp	nsp	CER. CAP.	150PF 50V K	CCBS1H151KBT
INPUT	C227	/N1B	nsp	nsp	CER. CAP.	150PF 50V K	CCBS1H151KBT
INPUT	C227	/N1SG	nsp	nsp	CER. CAP.	150PF 50V K	CCBS1H151KBT
INPUT	C228	/N1B	nsp	nsp	CER. CAP.	150PF 50V K	CCBS1H151KBT
INPUT	C228	/N1SG	nsp	nsp	CER. CAP.	150PF 50V K	CCBS1H151KBT
INPUT	C229		nsp	nsp	CER. CAP.	150PF 50V K	CCBS1H151KBT
INPUT	C230		nsp	nsp	CER. CAP.	150PF 50V K	CCBS1H151KBT
INPUT	C231	/N1B	nsp	nsp	CER. CAP.	150PF 50V K	CCBS1H151KBT
INPUT	C231	/N1SG	nsp	nsp	CER. CAP.	150PF 50V K	CCBS1H151KBT
INPUT	C232	/N1B	nsp	nsp	CER. CAP.	150PF 50V K	CCBS1H151KBT
INPUT	C232	/N1SG	nsp	nsp	CER. CAP.	150PF 50V K	CCBS1H151KBT
INPUT	C233		nsp	nsp	CER. CAP.	150PF 50V K	CCBS1H151KBT
INPUT	C234		nsp	nsp	CER. CAP.	150PF 50V K	CCBS1H151KBT
INPUT	C235		nsp	00MOA10605020	ELECT CAP.	10UF 50V	CCEA1HH100T
INPUT	C236		nsp	00MOA10605020	ELECT CAP.	10UF 50V	CCEA1HH100T
INPUT	C237		nsp	00MOA22702520	ELECT CAP.	220UF 25V	CCEA1EH221T
INPUT	C238		nsp	00MOA22702520	ELECT CAP.	220UF 25V	CCEA1EH221T
INPUT	C239		nsp	nsp	CER. CAP.	0.022UF 50V Z CERAMIC	CCBS1H223ZFT
INPUT	C240		nsp	nsp	CER. CAP.	0.022UF 50V Z CERAMIC	CCBS1H223ZFT
INPUT	C241		nsp	00MOA47505020	ELECT CAP.	4.7UF 50V	CCEA1HH4R7T
INPUT	C242		nsp	nsp	CER. CAP.	1000PF 50V B CERAMIC	CCBS1H102KBT
INPUT	C243		nsp	nsp	CER. CAP.	470PF 50V	CCBS1H471KBT
INPUT	C244		nsp	nsp	CER. CAP.	470PF 50V	CCBS1H471KBT
INPUT	C245		nsp	00MOA22702520	ELECT CAP.	220UF 25V	CCEA1EH221T
INPUT	C246		nsp	00MOA22702520	ELECT CAP.	220UF 25V	CCEA1EH221T
INPUT	C283		nsp	nsp	CER. CAP.	0.022UF 50V Z CERAMIC	CCBS1H223ZFT
INPUT	C286		nsp	00MOA10605020	ELECT CAP.	10UF 50V	CCEA1HH100T
INPUT	C287		nsp	00MOA10605020	ELECT CAP.	10UF 50V	CCEA1HH100T
INPUT	C288		nsp	nsp	CER. CAP.	330PF 50V KB	CCKT1H331KB
INPUT	C289		nsp	nsp	CER. CAP.	330PF 50V KB	CCKT1H331KB
INPUT	C300		nsp	nsp	CER. CAP.	10PF 50V JC	CCBS1H100JCT
INPUT	C301		nsp	nsp	CER. CAP.	10PF 50V JC	CCBS1H100JCT
INPUT	C304		nsp	00MOA10702520	ELECT CAP.	100UF 25V	CCEA1EH101T
INPUT	C305		nsp	00MOA10702520	ELECT CAP.	100UF 25V	CCEA1EH101T
INPUT	C306		nsp	nsp	FILM CAP.	470PF 50V J	-
INPUT	C307		nsp	nsp	FILM CAP.	470PF 50V J	-
INPUT	C309		nsp	00MOA10702520	ELECT CAP.	100UF 25V	CCEA1EH101T
INPUT	C310		nsp	00MOA10702520	ELECT CAP.	100UF 25V	CCEA1EH101T
INPUT	C311		nsp	00MOA10702520	ELECT CAP.	100UF 25V	CCEA1EH101T
INPUT	C312		nsp	00MOA10702520	ELECT CAP.	100UF 25V	CCEA1EH101T
INPUT	C341		nsp	00MOA22705020	ELECT CAP.	220UF 50V	CCEA1HH221E
INPUT	C342		nsp	00MOA22705020	ELECT CAP.	220UF 50V	CCEA1HH221E
INPUT	C343		nsp	00MOA22705020	ELECT CAP.	220UF 50V	CCEA1HH221E
INPUT	C344		nsp	00MOA22705020	ELECT CAP.	220UF 50V	CCEA1HH221E
INPUT	C345		nsp	00MOA47602520	ELECT CAP.	47UF 25V	CCEA1EH470T
INPUT	C346		nsp	00MOA47602520	ELECT CAP.	47UF 25V	CCEA1EH470T
INPUT	C367		nsp	nsp	FILM CAP.	0.047UF 100V J	HCQ11H473JZT
INPUT	C368		nsp	nsp	FILM CAP.	0.047UF 100V J	HCQ11H473JZT
INPUT	C373		nsp	nsp	FILM CAP.	0.01UF 100V J	HCQ11H103JZT
INPUT	C374		nsp	nsp	FILM CAP.	0.01UF 100V J	HCQ11H103JZT
INPUT	C379		nsp	00MOA47405020	ELECT CAP.	0.47UF 50V	CCEA1HHR47T
INPUT	C385		nsp	nsp	CER. CAP.	0.01UF 50V Z	CCFT1H103ZF
INPUT	C391	/N1B	nsp	nsp	FILM CAP.	0.01UF 100V J	HCQ11H103JZT
INPUT	C391	/N1SG	nsp	nsp	FILM CAP.	0.01UF 100V J	HCQ11H103JZT
INPUT	C392	/N1B	nsp	nsp	FILM CAP.	0.01UF 100V J	HCQ11H103JZT
INPUT	C392	/N1SG	nsp	nsp	FILM CAP.	0.01UF 100V J	HCQ11H103JZT
INPUT	C393	/N1B	nsp	nsp	FILM CAP.	0.01UF 100V J	HCQ11H103JZT
INPUT	C393	/N1SG	nsp	nsp	FILM CAP.	0.01UF 100V J	HCQ11H103JZT
INPUT	C394	/N1B	nsp	nsp	FILM CAP.	0.01UF 100V J	HCQ11H103JZT
INPUT	C394	/N1SG	nsp	nsp	FILM CAP.	0.01UF 100V J	HCQ11H103JZT
INPUT	C395	/N1B	nsp	nsp	FILM CAP.	0.022UF 100V J	HCQ11H223JZT
INPUT	C395	/N1SG	nsp	nsp	FILM CAP.	0.022UF 100V J	HCQ11H223JZT
INPUT	C396	/N1B	nsp	nsp	FILM CAP.	0.022UF 100V J	HCQ11H223JZT
INPUT	C396	/N1SG	nsp	nsp	FILM CAP.	0.022UF 100V J	HCQ11H223JZT
INPUT	▲C905		90M-OA000450R	90M-OA000450R	ELECT CAP.	16800UF 50V	CCET50VKL4682NK

NOTE : "nsp" PART IS LISTED FOR REFERENCE ONLY, MARANTZ WILL NOT SUPPLY THESE PARTS.



P.W.B. NAME	POS. NO.	VERS. COLOR	PART NO. (FOR EUR)	PART NO. (MZ)	PART NAME	DESCRIPTION
INPUT	▲C906		90M-OA000450R	90M-OA000450R	ELECT CAP.	! 6800UF 50V CCET50VKL4682NK
INPUT	C913		nsp	nsp	FILM CAP.	HMFS104J2AP050T CCOME2A104JXT
INPUT	C914		nsp	00MOA33505020	ELECT CAP.	3.3UF 50V CCEA1HH3R3T
INPUT	C917		nsp	00MOA22802520	ELECT CAP.	2200UF 25V CCEA1EH222E
INPUT	C918		nsp	00MOA22802520	ELECT CAP.	2200UF 25V CCEA1EH222E
INPUT	C919		nsp	00MOA47602520	ELECT CAP.	47UF 25V CCEA1EH470T
INPUT	C920		nsp	00MOA47602520	ELECT CAP.	47UF 25V CCEA1EH470T
INPUT	C921		nsp	00MOA10702520	ELECT CAP.	100UF 25V CCEA1EH101T
INPUT	C922		nsp	00MOA10702520	ELECT CAP.	100UF 25V CCEA1EH101T
INPUT	C923		nsp	00MOA47602520	ELECT CAP.	47UF 25V CCEA1EH470T
INPUT	C926		nsp	00MOA22605020	ELECT CAP.	22UF 25V CCEA1EH220T
INPUT	C927		nsp	00MOA47602520	ELECT CAP.	47UF 25V CCEA1EH470T
INPUT	C928		nsp	nsp	CER. CAP.	0.043UF 50V Z CCFT1H473ZF
INPUT	C929		nsp	nsp	CER. CAP.	0.022UF 50V Z CERAMIC CCBS1H223ZFT
INPUT	C939		nsp	00MOA47605020	ELECT CAP.	47UF 50V CCEA1HH470T
INPUT	C940		nsp	nsp	CER. CAP.	1000PF 50V B CERAMIC CCBS1H102KBT
INPUT	CN12		nsp	nsp	CONN.	STRAIGHT 4PIN CJP04GA01ZY
INPUT	CN33		nsp	nsp	CONN.	STRAIGHT 4PIN CJP04GA01ZY
INPUT	CN35		nsp	nsp	CONN.	2PIN CJP02GA19ZY CJP02GA19ZY
INPUT	CN37		nsp	nsp	CONN.	2P STRAIGHT YMW025-02R CJP02GA01ZY
INPUT	CN38		nsp	nsp	CONN.	2P STRAIGHT YMW025-02R CJP02GA01ZY
INPUT	CN55		nsp	nsp	CONN.	2P STRAIGHT YMW025-02R CJP02GA01ZY
INPUT	CN90		nsp	nsp	CONN.	3P WAFER CJP03GA90ZY
INPUT	CN92		nsp	nsp	CONN.	3P WAFER CJP03GA90ZY
INPUT	CN92		nsp	nsp	CONN.	STRAIGHT 4PIN CJP04GA01ZY
INPUT	CN95		nsp	nsp	CONN.	11P WAFER STRAIGHT 20017WS-11 CJP11GA19ZY
INPUT	D178		nsp	00MHD20015210	DIODE	1SS133T-77 CVD1SS133MT
INPUT	D251		nsp	00MHD20015210	DIODE	1SS133T-77 CVD1SS133MT
INPUT	D301		nsp	00MHD20015210	DIODE	1SS133T-77 CVD1SS133MT
INPUT	D302		nsp	00MHD20015210	DIODE	1SS133T-77 CVD1SS133MT
INPUT	D303		nsp	00MHD20015210	DIODE	1SS133T-77 CVD1SS133MT
INPUT	D304		nsp	00MHD20015210	DIODE	1SS133T-77 CVD1SS133MT
INPUT	D305		nsp	00MHD20015210	DIODE	1SS133T-77 CVD1SS133MT
INPUT	D306		nsp	00MHD20015210	DIODE	1SS133T-77 CVD1SS133MT
INPUT	D307		nsp	00MHD20015210	DIODE	1SS133T-77 CVD1SS133MT
INPUT	D308		nsp	00MHD20015210	DIODE	1SS133T-77 CVD1SS133MT
INPUT	D309		943202000940S	943202000940S	ZENER DIODE	ZJ16BT CVDZJ16BT
INPUT	D310		943202000940S	943202000940S	ZENER DIODE	ZJ16BT CVDZJ16BT
INPUT	D311		943202000940S	943202000940S	ZENER DIODE	ZJ16BT CVDZJ16BT
INPUT	D312		943202000940S	943202000940S	ZENER DIODE	ZJ16BT CVDZJ16BT
INPUT	D373		nsp	00MHD20015210	DIODE	1SS133T-77 CVD1SS133MT
INPUT	D374		nsp	00MHD20015210	DIODE	1SS133T-77 CVD1SS133MT
INPUT	D383		nsp	00MHD20015210	DIODE	1SS133T-77 CVD1SS133MT
INPUT	D388		nsp	00MHD20015210	DIODE	1SS133T-77 CVD1SS133MT
INPUT	D391		nsp	00MHD20015210	DIODE	1SS133T-77 CVD1SS133MT
INPUT	D392		nsp	00MHD20015210	DIODE	1SS133T-77 CVD1SS133MT
INPUT	▲D901		90M-HE200330R	90M-HE200330R	DIODE	! BU804F HVDKBU804F
INPUT	D911		nsp	90M-HD201730R	DIODE	1N4003 CVD1N4003ST
INPUT	D912		nsp	90M-HD201730R	DIODE	1N4003 CVD1N4003ST
INPUT	D913		nsp	90M-HD201730R	DIODE	1N4003 CVD1N4003ST
INPUT	D914		nsp	90M-HD201730R	DIODE	1N4003 CVD1N4003ST
INPUT	D915		nsp	00MHD20015210	DIODE	1SS133T-77 CVD1SS133MT
INPUT	D916		nsp	90M-HD201730R	DIODE	1N4003 CVD1N4003ST
INPUT	D917		nsp	90M-HD201730R	DIODE	1N4003 CVD1N4003ST
INPUT	D921		90M-HD302450R	90M-HD302450R	ZENER DIODE	ZJ13B 1/2W CVDZJ13BT
INPUT	D922		nsp	00MHD20015210	DIODE	1SS133T-77 CVD1SS133MT
INPUT	D923		nsp	00MHD20015210	DIODE	1SS133T-77 CVD1SS133MT
INPUT	D924		nsp	00MHD20015210	DIODE	1SS133T-77 CVD1SS133MT
INPUT	D925		90M-HD302470R	90M-HD302470R	ZENER DIODE	ZJ6.2B 1/2W CVDZJ6.2BT
INPUT	GND1		nsp	nsp	TERMINAL	MET37-0002 HJT1A025
INPUT	GND3		nsp	nsp	TERMINAL	MET37-0002 HJT1A025
INPUT	IC11		00MHC10102090	00MHC10102090	IC	NJM2068MD-TE1 HVINJM2068MDTE1
INPUT	IC21		00MHC10309030	00MHC10309030	IC	LC78212 HVILC78212
INPUT	IC22		00MHC10102090	00MHC10102090	IC	NJM2068MD-TE1 HVINJM2068MDTE1
INPUT	IC23		00MHC10102090	00MHC10102090	IC	NJM2068MD-TE1 HVINJM2068MDTE1
INPUT	IC31		00MHC10102090	00MHC10102090	IC	NJM2068MD-TE1 HVINJM2068MDTE1
INPUT	IC32		00MHC10102090	00MHC10102090	IC	NJM2068MD-TE1 HVINJM2068MDTE1

NOTE : \*nsp\* PART IS LISTED FOR REFERENCE ONLY, MARANTZ WILL NOT SUPPLY THESE PARTS.

P.W.B. NAME	POS. NO.	VERS. COLOR	PART NO. (FOR EUR)	PART NO. (MZ)	PART NAME	DESCRIPTION
INPUT	▲IC93		90M-HC300480R	90M-HC300480R	IC	! KA7815-ABTU HVIMC7815C
INPUT	▲IC94		90M-HC300490R	90M-HC300490R	IC	! KA7915-ABTU HVIMC7915C
INPUT	▲IC95		90M-HC300500R	90M-HC300500R	IC	! KA7805-ABTU HVIMC7805C
INPUT	J101	F B	nsp	nsp	CORD	SN95/PB5 0.6 C3A206
INPUT	J101	F N	nsp	nsp	CORD	SN95/PB5 0.6 C3A206
INPUT	J101	/U1B	nsp	nsp	CORD	SN95/PB5 0.6 C3A206
INPUT	J102	F B	nsp	nsp	CORD	SN95/PB5 0.6 C3A206
INPUT	J102	F N	nsp	nsp	CORD	SN95/PB5 0.6 C3A206
INPUT	J102	/U1B	nsp	nsp	CORD	SN95/PB5 0.6 C3A206
INPUT	J103		nsp	nsp	CORD	SN95/PB5 0.6 C3A206
INPUT	J104		nsp	nsp	CORD	SN95/PB5 0.6 C3A206
INPUT	J105		nsp	nsp	CORD	SN95/PB5 0.6 C3A206
INPUT	J106		nsp	nsp	CORD	SN95/PB5 0.6 C3A206
INPUT	J107		nsp	nsp	CORD	SN95/PB5 0.6 C3A206
INPUT	J108		nsp	nsp	CORD	SN95/PB5 0.6 C3A206
INPUT	J109		nsp	nsp	CORD	SN95/PB5 0.6 C3A206
INPUT	J110		nsp	nsp	CORD	SN95/PB5 0.6 C3A206
INPUT	J111		nsp	nsp	CORD	SN95/PB5 0.6 C3A206
INPUT	J113		nsp	nsp	CORD	SN95/PB5 0.6 C3A206
INPUT	J114		nsp	nsp	CORD	SN95/PB5 0.6 C3A206
INPUT	J115		nsp	nsp	CORD	SN95/PB5 0.6 C3A206
INPUT	J116		nsp	nsp	CORD	SN95/PB5 0.6 C3A206
INPUT	J117		nsp	nsp	CORD	SN95/PB5 0.6 C3A206
INPUT	J118		nsp	nsp	CORD	SN95/PB5 0.6 C3A206
INPUT	J119		nsp	nsp	CORD	SN95/PB5 0.6 C3A206
INPUT	J120		nsp	nsp	CORD	SN95/PB5 0.6 C3A206
INPUT	J201		nsp	nsp	CORD	SN95/PB5 0.6 C3A206
INPUT	J202		nsp	nsp	CORD	SN95/PB5 0.6 C3A206
INPUT	J203		nsp	nsp	CORD	SN95/PB5 0.6 C3A206
INPUT	J205		nsp	nsp	CORD	SN95/PB5 0.6 C3A206
INPUT	J206		nsp	nsp	CORD	SN95/PB5 0.6 C3A206
INPUT	J207		nsp	nsp	CORD	SN95/PB5 0.6 C3A206
INPUT	J208		nsp	nsp	CORD	SN95/PB5 0.6 C3A206
INPUT	J209		nsp	nsp	CORD	SN95/PB5 0.6 C3A206
INPUT	J210		nsp	nsp	CORD	SN95/PB5 0.6 C3A206
INPUT	J212		nsp	nsp	CORD	SN95/PB5 0.6 C3A206
INPUT	J213		nsp	nsp	CORD	SN95/PB5 0.6 C3A206
INPUT	J214		nsp	nsp	CORD	SN95/PB5 0.6 C3A206
INPUT	J215		nsp	nsp	CORD	SN95/PB5 0.6 C3A206
INPUT	J216		nsp	nsp	CORD	SN95/PB5 0.6 C3A206
INPUT	J217		nsp	nsp	CORD	SN95/PB5 0.6 C3A206
INPUT	J218		nsp	nsp	CORD	SN95/PB5 0.6 C3A206
INPUT	J219		nsp	nsp	CORD	SN95/PB5 0.6 C3A206
INPUT	J220		nsp	nsp	CORD	SN95/PB5 0.6 C3A206
INPUT	J222		nsp	nsp	CORD	SN95/PB5 0.6 C3A206
INPUT	J223		nsp	nsp	CORD	SN95/PB5 0.6 C3A206
INPUT	J225		nsp	nsp	CORD	SN95/PB5 0.6 C3A206
INPUT	J226		nsp	nsp	CORD	SN95/PB5 0.6 C3A206
INPUT	J300		nsp	nsp	CORD	SN95/PB5 0.6 C3A206
INPUT	J301		nsp	nsp	CORD	SN95/PB5 0.6 C3A206
INPUT	J302		nsp	nsp	CORD	SN95/PB5 0.6 C3A206
INPUT	J303		nsp	nsp	CORD	SN95/PB5 0.6 C3A206
INPUT	J304		nsp	nsp	CORD	SN95/PB5 0.6 C3A206
INPUT	J305		nsp	nsp	CORD	SN95/PB5 0.6 C3A206
INPUT	J306		nsp	nsp	CORD	SN95/PB5 0.6 C3A206
INPUT	J307		nsp	nsp	CORD	SN95/PB5 0.6 C3A206
INPUT	J308		nsp	nsp	CORD	SN95/PB5 0.6 C3A206
INPUT	J309		nsp	nsp	CORD	SN95/PB5 0.6 C3A206
INPUT	J310		nsp	nsp	CORD	SN95/PB5 0.6 C3A206
INPUT	J311		nsp	nsp	CORD	SN95/PB5 0.6 C3A206
INPUT	J312		nsp	nsp	CORD	SN95/PB5 0.6 C3A206
INPUT	J313		nsp	nsp	CORD	SN95/PB5 0.6 C3A206
INPUT	J314		nsp	nsp	CORD	SN95/PB5 0.6 C3A206
INPUT	J315		nsp	nsp	CORD	SN95/PB5 0.6 C3A206
INPUT	J316		nsp	nsp	CORD	SN95/PB5 0.6 C3A206
INPUT	J317		nsp	nsp	CORD	SN95/PB5 0.6 C3A206
INPUT	J318		nsp	nsp	CORD	SN95/PB5 0.6 C3A206

NOTE : "nsp" PART IS LISTED FOR REFERENCE ONLY, MARANTZ WILL NOT SUPPLY THESE PARTS.

P.W.B. NAME	POS. NO.	VERS. COLOR	PART NO. (FOR EUR)	PART NO. (MZ)	PART NAME	DESCRIPTION
INPUT	J319		nsp	nsp	CORD	SN95/PB5 0.6 C3A206
INPUT	J320		nsp	nsp	CORD	SN95/PB5 0.6 C3A206
INPUT	J321		nsp	nsp	CORD	SN95/PB5 0.6 C3A206
INPUT	J322		nsp	nsp	CORD	SN95/PB5 0.6 C3A206
INPUT	J323		nsp	nsp	CORD	SN95/PB5 0.6 C3A206
INPUT	J324		nsp	nsp	CORD	SN95/PB5 0.6 C3A206
INPUT	J325		nsp	nsp	CORD	SN95/PB5 0.6 C3A206
INPUT	J326		nsp	nsp	CORD	SN95/PB5 0.6 C3A206
INPUT	J327		nsp	nsp	CORD	SN95/PB5 0.6 C3A206
INPUT	J328		nsp	nsp	CORD	SN95/PB5 0.6 C3A206
INPUT	J329		nsp	nsp	CORD	SN95/PB5 0.6 C3A206
INPUT	J330		nsp	nsp	CORD	SN95/PB5 0.6 C3A206
INPUT	J331		nsp	nsp	CORD	SN95/PB5 0.6 C3A206
INPUT	J332		nsp	nsp	CORD	SN95/PB5 0.6 C3A206
INPUT	J333		nsp	nsp	CORD	SN95/PB5 0.6 C3A206
INPUT	J334		nsp	nsp	CORD	SN95/PB5 0.6 C3A206
INPUT	J335		nsp	nsp	CORD	SN95/PB5 0.6 C3A206
INPUT	J401		nsp	nsp	CORD	SN95/PB5 0.6 C3A206
INPUT	J402		nsp	nsp	CORD	SN95/PB5 0.6 C3A206
INPUT	J403		nsp	nsp	CORD	SN95/PB5 0.6 C3A206
INPUT	J404		nsp	nsp	CORD	SN95/PB5 0.6 C3A206
INPUT	J405		nsp	nsp	CORD	SN95/PB5 0.6 C3A206
INPUT	J406		nsp	nsp	CORD	SN95/PB5 0.6 C3A206
INPUT	J407		nsp	nsp	CORD	SN95/PB5 0.6 C3A206
INPUT	J408		nsp	nsp	CORD	SN95/PB5 0.6 C3A206
INPUT	J409		nsp	nsp	CORD	SN95/PB5 0.6 C3A206
INPUT	J410		nsp	nsp	CORD	SN95/PB5 0.6 C3A206
INPUT	J412		nsp	nsp	CORD	SN95/PB5 0.6 C3A206
INPUT	J413		nsp	nsp	CORD	SN95/PB5 0.6 C3A206
INPUT	J414		nsp	nsp	CORD	SN95/PB5 0.6 C3A206
INPUT	J415		nsp	nsp	CORD	SN95/PB5 0.6 C3A206
INPUT	J416		nsp	nsp	CORD	SN95/PB5 0.6 C3A206
INPUT	J417		nsp	nsp	CORD	SN95/PB5 0.6 C3A206
INPUT	J418		nsp	nsp	CORD	SN95/PB5 0.6 C3A206
INPUT	J419		nsp	nsp	CORD	SN95/PB5 0.6 C3A206
INPUT	J421		nsp	nsp	CORD	SN95/PB5 0.6 C3A206
INPUT	J422		nsp	nsp	CORD	SN95/PB5 0.6 C3A206
INPUT	J423		nsp	nsp	CORD	SN95/PB5 0.6 C3A206
INPUT	J424		nsp	nsp	CORD	SN95/PB5 0.6 C3A206
INPUT	J425		nsp	nsp	CORD	SN95/PB5 0.6 C3A206
INPUT	J426		nsp	nsp	CORD	SN95/PB5 0.6 C3A206
INPUT	J427		nsp	nsp	CORD	SN95/PB5 0.6 C3A206
INPUT	J501		nsp	nsp	CORD	SN95/PB5 0.6 C3A206
INPUT	J502		nsp	nsp	CORD	SN95/PB5 0.6 C3A206
INPUT	J503		nsp	nsp	CORD	SN95/PB5 0.6 C3A206
INPUT	J504		nsp	nsp	CORD	SN95/PB5 0.6 C3A206
INPUT	J505		nsp	nsp	CORD	SN95/PB5 0.6 C3A206
INPUT	J506		nsp	nsp	CORD	SN95/PB5 0.6 C3A206
INPUT	J507		nsp	nsp	CORD	SN95/PB5 0.6 C3A206
INPUT	J508		nsp	nsp	CORD	SN95/PB5 0.6 C3A206
INPUT	J509		nsp	nsp	CORD	SN95/PB5 0.6 C3A206
INPUT	J510		nsp	nsp	CORD	SN95/PB5 0.6 C3A206
INPUT	J511		nsp	nsp	CORD	SN95/PB5 0.6 C3A206
INPUT	J512		nsp	nsp	CORD	SN95/PB5 0.6 C3A206
INPUT	J513		nsp	nsp	CORD	SN95/PB5 0.6 C3A206
INPUT	J514		nsp	nsp	CORD	SN95/PB5 0.6 C3A206
INPUT	J515		nsp	nsp	CORD	SN95/PB5 0.6 C3A206
INPUT	J516		nsp	nsp	CORD	SN95/PB5 0.6 C3A206
INPUT	J517		nsp	nsp	CORD	SN95/PB5 0.6 C3A206
INPUT	J518		nsp	nsp	CORD	SN95/PB5 0.6 C3A206
INPUT	J519		nsp	nsp	CORD	SN95/PB5 0.6 C3A206
INPUT	J520		nsp	nsp	CORD	SN95/PB5 0.6 C3A206
INPUT	J521		nsp	nsp	CORD	SN95/PB5 0.6 C3A206
INPUT	J522		nsp	nsp	CORD	SN95/PB5 0.6 C3A206
INPUT	J523		nsp	nsp	CORD	SN95/PB5 0.6 C3A206
INPUT	J524		nsp	nsp	CORD	SN95/PB5 0.6 C3A206
INPUT	J527		nsp	nsp	CORD	SN95/PB5 0.6 C3A206

NOTE : \*nsp\* PART IS LISTED FOR REFERENCE ONLY, MARANTZ WILL NOT SUPPLY THESE PARTS.

P.W.B. NAME	POS. NO.	VERS. COLOR	PART NO. (FOR EUR)	PART NO. (MZ)	PART NAME	DESCRIPTION
INPUT	J528		nsp	nsp	CORD	SN95/PB5 0.6 C3A206
INPUT	J529		nsp	nsp	CORD	SN95/PB5 0.6 C3A206
INPUT	J602		nsp	nsp	CORD	SN95/PB5 0.6 C3A206
INPUT	J603		nsp	nsp	CORD	SN95/PB5 0.6 C3A206
INPUT	J605		nsp	nsp	CORD	SN95/PB5 0.6 C3A206
INPUT	J606		nsp	nsp	CORD	SN95/PB5 0.6 C3A206
INPUT	J607		nsp	nsp	CORD	SN95/PB5 0.6 C3A206
INPUT	J608		nsp	nsp	CORD	SN95/PB5 0.6 C3A206
INPUT	J609		nsp	nsp	CORD	SN95/PB5 0.6 C3A206
INPUT	J610		nsp	nsp	CORD	SN95/PB5 0.6 C3A206
INPUT	J611		nsp	nsp	CORD	SN95/PB5 0.6 C3A206
INPUT	J612		nsp	nsp	CORD	SN95/PB5 0.6 C3A206
INPUT	J701		nsp	nsp	CORD	SN95/PB5 0.6 C3A206
INPUT	J702		nsp	nsp	CORD	SN95/PB5 0.6 C3A206
INPUT	J703		nsp	nsp	CORD	SN95/PB5 0.6 C3A206
INPUT	J704		nsp	nsp	CORD	SN95/PB5 0.6 C3A206
INPUT	J706		nsp	nsp	CORD	SN95/PB5 0.6 C3A206
INPUT	J708		nsp	nsp	CORD	SN95/PB5 0.6 C3A206
INPUT	J801		nsp	nsp	CORD	SN95/PB5 0.6 C3A206
INPUT	J802		nsp	nsp	CORD	SN95/PB5 0.6 C3A206
INPUT	J803		nsp	nsp	CORD	SN95/PB5 0.6 C3A206
INPUT	J804		nsp	nsp	CORD	SN95/PB5 0.6 C3A206
INPUT	J805		nsp	nsp	CORD	SN95/PB5 0.6 C3A206
INPUT	J806		nsp	nsp	CORD	SN95/PB5 0.6 C3A206
INPUT	J901		nsp	nsp	CORD	SN95/PB5 0.6 C3A206
INPUT	J902		nsp	nsp	CORD	SN95/PB5 0.6 C3A206
INPUT	J903		nsp	nsp	CORD	SN95/PB5 0.6 C3A206
INPUT	J904		nsp	nsp	CORD	SN95/PB5 0.6 C3A206
INPUT	J905		nsp	nsp	CORD	SN95/PB5 0.6 C3A206
INPUT	JK11		90M-YT003130R	90M-YT003130R	TERMINAL	CINCH 2P AUDIO CJJ4N034Z
INPUT	JK12		90M-YT003140R	90M-YT003140R	TERMINAL	CINCH 4P AUDIO CJJ4P028Z
INPUT	JK13		90M-YT003140R	90M-YT003140R	TERMINAL	CINCH 4P AUDIO CJJ4P028Z
INPUT	JK14		90M-YT003140R	90M-YT003140R	TERMINAL	CINCH 4P AUDIO CJJ4P028Z
INPUT	JK15		90M-YT003130R	90M-YT003130R	TERMINAL	CINCH 2P AUDIO CJJ4N034Z
INPUT	JK31		943643004090S	943643004090S	TERMINAL	SPEAKER TERMINAL CJJ5Q019Z
INPUT	L101	/N1B	nsp	nsp	COIL	COIL TOROIDAL CLU9S004Z
INPUT	L101	/N1SG	nsp	nsp	COIL	COIL TOROIDAL CLU9S004Z
INPUT	L102	/N1B	nsp	nsp	COIL	COIL TOROIDAL CLU9S004Z
INPUT	L102	/N1SG	nsp	nsp	COIL	COIL TOROIDAL CLU9S004Z
INPUT	Q281		00MHT805501B0	00MHT805501B0	TRS.	KTC2874B HVTKTC2874BT
INPUT	Q282		00MHT805501B0	00MHT805501B0	TRS.	KTC2874B HVTKTC2874BT
INPUT	Q301		00MHT600121A0	00MHT600121A0	TRS.	KTA1268GR HVTKTA1268GRT
INPUT	Q302		00MHT600121A0	00MHT600121A0	TRS.	KTA1268GR HVTKTA1268GRT
INPUT	Q303		00MHT800931A0	00MHT800931A0	TRS.	KTC3200GR HVTKTC3200GRT
INPUT	Q304		00MHT800931A0	00MHT800931A0	TRS.	KTC3200GR HVTKTC3200GRT
INPUT	Q305		00MHT600121A0	00MHT600121A0	TRS.	KTA1268GR HVTKTA1268GRT
INPUT	Q306		00MHT600121A0	00MHT600121A0	TRS.	KTA1268GR HVTKTA1268GRT
INPUT	Q307		00MHT800931A0	00MHT800931A0	TRS.	KTC3200GR HVTKTC3200GRT
INPUT	Q308		00MHT800931A0	00MHT800931A0	TRS.	KTC3200GR HVTKTC3200GRT
INPUT	Q309		00MHT800931A0	00MHT800931A0	TRS.	KTC3200GR HVTKTC3200GRT
INPUT	Q310		00MHT800931A0	00MHT800931A0	TRS.	KTC3200GR HVTKTC3200GRT
INPUT	Q311		00MHT600121A0	00MHT600121A0	TRS.	KTA1268GR HVTKTA1268GRT
INPUT	Q312		00MHT600121A0	00MHT600121A0	TRS.	KTA1268GR HVTKTA1268GRT
INPUT	Q313		00MHT800931A0	00MHT800931A0	TRS.	KTC3200GR HVTKTC3200GRT
INPUT	Q314		00MHT800931A0	00MHT800931A0	TRS.	KTC3200GR HVTKTC3200GRT
INPUT	Q315		00MHT600121A0	00MHT600121A0	TRS.	KTA1268GR HVTKTA1268GRT
INPUT	Q316		00MHT600121A0	00MHT600121A0	TRS.	KTA1268GR HVTKTA1268GRT
INPUT	Q325		90M-HT600030R	90M-HT600030R	TRS.	KTA1024Y HVTKTA1024YT
INPUT	Q326		90M-HT600030R	90M-HT600030R	TRS.	KTA1024Y HVTKTA1024YT
INPUT	Q335		00MHT800941B0	00MHT800941B0	TRS.	KTC3206Y HVTKTC3206YAT
INPUT	Q336		00MHT800941B0	00MHT800941B0	TRS.	KTC3206Y HVTKTC3206YAT
INPUT	Q345		00MHT334191Y0	00MHT334191Y0	TRS.	2SC3419Y HVT2SC3419Y
INPUT	Q346		00MHT334191Y0	00MHT334191Y0	TRS.	2SC3419Y HVT2SC3419Y
INPUT	Q347		00MHT800941B0	00MHT800941B0	TRS.	KTC3206Y HVTKTC3206YAT
INPUT	Q348		00MHT800941B0	00MHT800941B0	TRS.	KTC3206Y HVTKTC3206YAT
INPUT	Q349		90M-HT600030R	90M-HT600030R	TRS.	KTA1024Y HVTKTA1024YT
INPUT	Q350		90M-HT600030R	90M-HT600030R	TRS.	KTA1024Y HVTKTA1024YT

NOTE : "nsp" PART IS LISTED FOR REFERENCE ONLY, MARANTZ WILL NOT SUPPLY THESE PARTS.

P.W.B. NAME	POS. NO.	VERS. COLOR	PART NO. (FOR EUR)	PART NO. (MZ)	PART NAME	DESCRIPTION
INPUT	Q351		90M-HT300940R	90M-HT300940R	TRS.	2SC4883A HVT2SC4883A
INPUT	Q352		90M-HT300940R	90M-HT300940R	TRS.	2SC4883A HVT2SC4883A
INPUT	Q353		90M-HT100690R	90M-HT100690R	TRS.	2SA1859A HVT2SA1859A
INPUT	Q354		90M-HT100690R	90M-HT100690R	TRS.	2SA1859A HVT2SA1859A
INPUT	Q355		90M-HT300950R	90M-HT300950R	TRS.	2SC4467 CVT2SC4467P
INPUT	Q356		90M-HT300950R	90M-HT300950R	TRS.	2SC4467 CVT2SC4467P
INPUT	Q357		90M-HT100700R	90M-HT100700R	TRS.	2SA1694 CVT2SA1694P
INPUT	Q371		00MHT327851H0	00MHT327851H0	TRS.	KSC2785Y HVTKSC2785YT
INPUT	Q372		00MHT327851H0	00MHT327851H0	TRS.	KSC2785Y HVTKSC2785YT
INPUT	Q379		90M-HT100390R	90M-HT100390R	TRS.	KSA1175Y HVTKSA1175YT
INPUT	Q385		00MHT327851H0	00MHT327851H0	TRS.	KSC2785Y HVTKSC2785YT
INPUT	Q386		90M-HT100390R	90M-HT100390R	TRS.	KSA1175Y HVTKSA1175YT
INPUT	Q391		90M-HT100390R	90M-HT100390R	TRS.	KSA1175Y HVTKSA1175YT
INPUT	Q392		00MHT327851H0	00MHT327851H0	TRS.	KSC2785Y HVTKSC2785YT
INPUT	Q393		00MHT327851H0	00MHT327851H0	TRS.	KSC2785Y HVTKSC2785YT
INPUT	Q394		00MHT327851H0	00MHT327851H0	TRS.	KSC2785Y HVTKSC2785YT
INPUT	Q917		90M-HT800050R	90M-HT800050R	TRS.	KTC3198Y HVTKTC3198YT
INPUT	Q918		00MHT600111B0	00MHT600111B0	TRS.	KTA1267Y HVTKTA1267YT
INPUT	Q919		90M-HT800050R	90M-HT800050R	TRS.	KTC3198Y HVTKTC3198YT
INPUT	Q920		90M-HT800050R	90M-HT800050R	TRS.	KTC3198Y HVTKTC3198YT
INPUT	▲Q921		90M-HT800040R	90M-HT800040R	TRS.	! KSC2316Y HVTKSC2316YT
INPUT	Q922		90M-HT800050R	90M-HT800050R	TRS.	KTC3198Y HVTKTC3198YT
INPUT	Q923		90M-HT800050R	90M-HT800050R	TRS.	KTC3198Y HVTKTC3198YT
INPUT	Q924		90M-BA001450R	90M-BA001450R	TRS.	KRA107M HVTKRA107MT
INPUT	R101		nsp	nsp	RES.	100 OHM 1/6W J CARBON CRD20TJ101T
INPUT	R102		nsp	nsp	RES.	100 OHM 1/6W J CARBON CRD20TJ101T
INPUT	R103		nsp	nsp	RES.	100K OHM 1/6W J CARBON CRD20TJ104T
INPUT	R104		nsp	nsp	RES.	100K OHM 1/6W J CARBON CRD20TJ104T
INPUT	R105		nsp	nsp	RES.	100K OHM 1/6W J CARBON CRD20TJ104T
INPUT	R106		nsp	nsp	RES.	100K OHM 1/6W J CARBON CRD20TJ104T
INPUT	R109		nsp	nsp	RES.	100 OHM 1/6W J CARBON CRD20TJ101T
INPUT	R110		nsp	nsp	RES.	100 OHM 1/6W J CARBON CRD20TJ101T
INPUT	R111		nsp	nsp	RES.	82K OHM 1/6W J CARBON CRD20TJ823T
INPUT	R112		nsp	nsp	RES.	82K OHM 1/6W J CARBON CRD20TJ823T
INPUT	R113		nsp	nsp	RES.	6.8K OHM 1/6W J CARBON CRD20TJ682T
INPUT	R114		nsp	nsp	RES.	6.8K OHM 1/6W J CARBON CRD20TJ682T
INPUT	R115		nsp	nsp	RES.	100 OHM 1/6W J CARBON CRD20TJ101T
INPUT	R116		nsp	nsp	RES.	100 OHM 1/6W J CARBON CRD20TJ101T
INPUT	R117		nsp	nsp	RES.	330 OHM 1/6W J CARBON CRD20TJ331T
INPUT	R118		nsp	nsp	RES.	330 OHM 1/6W J CARBON CRD20TJ331T
INPUT	R119		nsp	nsp	RES.	100K OHM 1/6W J CARBON CRD20TJ104T
INPUT	R120		nsp	nsp	RES.	100K OHM 1/6W J CARBON CRD20TJ104T
INPUT	R121		nsp	nsp	RES.	22 OHM 1/6W J CARBON CRD20TJ220T
INPUT	R122		nsp	nsp	RES.	22 OHM 1/6W J CARBON CRD20TJ220T
INPUT	R201		nsp	nsp	RES.	220 OHM 1/6W J CARBON CRD20TJ221T
INPUT	R202		nsp	nsp	RES.	220 OHM 1/6W J CARBON CRD20TJ221T
INPUT	R203		nsp	nsp	RES.	220 OHM 1/6W J CARBON CRD20TJ221T
INPUT	R204		nsp	nsp	RES.	220 OHM 1/6W J CARBON CRD20TJ221T
INPUT	R205		nsp	nsp	RES.	220 OHM 1/6W J CARBON CRD20TJ221T
INPUT	R206		nsp	nsp	RES.	220 OHM 1/6W J CARBON CRD20TJ221T
INPUT	R207		nsp	nsp	RES.	220 OHM 1/6W J CARBON CRD20TJ221T
INPUT	R208		nsp	nsp	RES.	220 OHM 1/6W J CARBON CRD20TJ221T
INPUT	R209		nsp	nsp	RES.	10 OHM 1/6W J CARBON CRD20TJ100T
INPUT	R210		nsp	nsp	RES.	10 OHM 1/6W J CARBON CRD20TJ100T
INPUT	R211		nsp	nsp	RES.	220 OHM 1/6W J CARBON CRD20TJ221T
INPUT	R212		nsp	nsp	RES.	220 OHM 1/6W J CARBON CRD20TJ221T
INPUT	R213		nsp	nsp	RES.	10 OHM 1/6W J CARBON CRD20TJ100T
INPUT	R214		nsp	nsp	RES.	10 OHM 1/6W J CARBON CRD20TJ100T
INPUT	R215		nsp	nsp	RES.	56K OHM 1/6W J CARBON CRD20TJ563T
INPUT	R216		nsp	nsp	RES.	56K OHM 1/6W J CARBON CRD20TJ563T
INPUT	R217		nsp	nsp	RES.	330 OHM 1/6W J CARBON CRD20TJ331T
INPUT	R218		nsp	nsp	RES.	330 OHM 1/6W J CARBON CRD20TJ331T
INPUT	R219		nsp	nsp	RES.	47K OHM 1/6W J CARBON CRD20TJ473T
INPUT	R220		nsp	nsp	RES.	47K OHM 1/6W J CARBON CRD20TJ473T
INPUT	R221		nsp	nsp	RES.	1M OHM 1/6W J CARBON CRD20TJ105T
INPUT	R222		nsp	nsp	RES.	1M OHM 1/6W J CARBON CRD20TJ105T
INPUT	R223		nsp	nsp	RES.	1M OHM 1/6W J CARBON CRD20TJ105T

NOTE : "nsp" PART IS LISTED FOR REFERENCE ONLY, MARANTZ WILL NOT SUPPLY THESE PARTS.

P.W.B. NAME	POS. NO.	VERS. COLOR	PART NO. (FOR EUR)	PART NO. (MZ)	PART NAME	DESCRIPTION
INPUT	R224		nsp	nsp	RES.	1M OHM 1/6W J CARBON CRD20TJ105T
INPUT	R225		nsp	nsp	RES.	1M OHM 1/6W J CARBON CRD20TJ105T
INPUT	R226		nsp	nsp	RES.	1M OHM 1/6W J CARBON CRD20TJ105T
INPUT	R227		nsp	nsp	RES.	1M OHM 1/6W J CARBON CRD20TJ105T
INPUT	R228		nsp	nsp	RES.	1M OHM 1/6W J CARBON CRD20TJ105T
INPUT	R229		nsp	nsp	RES.	1M OHM 1/6W J CARBON CRD20TJ105T
INPUT	R230		nsp	nsp	RES.	1M OHM 1/6W J CARBON CRD20TJ105T
INPUT	R231		nsp	nsp	RES.	1M OHM 1/6W J CARBON CRD20TJ105T
INPUT	R232		nsp	nsp	RES.	1M OHM 1/6W J CARBON CRD20TJ105T
INPUT	R233		nsp	nsp	RES.	1M OHM 1/6W J CARBON CRD20TJ105T
INPUT	R234		nsp	nsp	RES.	1M OHM 1/6W J CARBON CRD20TJ105T
INPUT	R235		nsp	nsp	RES.	1K OHM 1/6W J CARBON CRD20TJ102T
INPUT	R236		nsp	nsp	RES.	1K OHM 1/6W J CARBON CRD20TJ102T
INPUT	R237		nsp	nsp	RES.	1K OHM 1/6W J CARBON CRD20TJ102T
INPUT	R238		nsp	nsp	RES.	1K OHM 1/6W J CARBON CRD20TJ102T
INPUT	R239		nsp	nsp	RES.	100 OHM 1/6W J CARBON CRD20TJ101T
INPUT	R240		nsp	nsp	RES.	100 OHM 1/6W J CARBON CRD20TJ101T
INPUT	R241		nsp	nsp	RES.	330 OHM 1/6W J CARBON CRD20TJ331T
INPUT	R242		nsp	nsp	RES.	330 OHM 1/6W J CARBON CRD20TJ331T
INPUT	R243		nsp	nsp	RES.	47K OHM 1/6W J CARBON CRD20TJ473T
INPUT	R244		nsp	nsp	RES.	47K OHM 1/6W J CARBON CRD20TJ473T
INPUT	R245		nsp	nsp	RES.	56K OHM 1/6W J CARBON CRD20TJ563T
INPUT	R246		nsp	nsp	RES.	56K OHM 1/6W J CARBON CRD20TJ563T
INPUT	R247		nsp	nsp	RES.	100 OHM 1/6W J CARBON CRD20TJ101T
INPUT	R248		nsp	nsp	RES.	100 OHM 1/6W J CARBON CRD20TJ101T
INPUT	R249		nsp	nsp	RES.	120 OHM 1/4W J CARBON CRD25TJ121T
INPUT	R250		nsp	nsp	RES.	120 OHM 1/6W J CARBON CRD20TJ121T
INPUT	R251		nsp	nsp	RES.	10K OHM 1/6W J CARBON CRD20TJ103T
INPUT	R273		nsp	nsp	RES.	120 OHM 1/6W J CARBON CRD20TJ121T
INPUT	R274		nsp	nsp	RES.	120 OHM 1/6W J CARBON CRD20TJ121T
INPUT	R275		nsp	nsp	RES.	120 OHM 1/6W J CARBON CRD20TJ121T
INPUT	R278		nsp	nsp	RES.	330 OHM 1/6W J CARBON CRD20TJ331T
INPUT	R279		nsp	nsp	RES.	330 OHM 1/6W J CARBON CRD20TJ331T
INPUT	R280		nsp	nsp	RES.	10K OHM 1/6W J CARBON CRD20TJ103T
INPUT	R281		nsp	nsp	RES.	47K OHM 1/6W J CARBON CRD20TJ473T
INPUT	R282		nsp	nsp	RES.	47K OHM 1/6W J CARBON CRD20TJ473T
INPUT	R283		nsp	nsp	RES.	1M OHM 1/6W J CARBON CRD20TJ105T
INPUT	R284		nsp	nsp	RES.	47K OHM 1/6W J CARBON CRD20TJ473T
INPUT	R285		nsp	nsp	RES.	47K OHM 1/6W J CARBON CRD20TJ473T
INPUT	R286		nsp	nsp	RES.	470 OHM 1/6W J CARBON CRD20TJ471T
INPUT	R287		nsp	nsp	RES.	470 OHM 1/6W J CARBON CRD20TJ471T
INPUT	R288		nsp	nsp	RES.	100 OHM 1/6W J CARBON CRD20TJ101T
INPUT	R289		nsp	nsp	RES.	100 OHM 1/6W J CARBON CRD20TJ101T
INPUT	R290		943125004120S	943125004120S	RES.	470 OHM 1/2W METAL CRG12SANJ471T
INPUT	R291		943125004120S	943125004120S	RES.	470 OHM 1/2W METAL CRG12SANJ471T
INPUT	R292		943125004120S	943125004120S	RES.	470 OHM 1/2W METAL CRG12SANJ471T
INPUT	R293		943125004120S	943125004120S	RES.	470 OHM 1/2W METAL CRG12SANJ471T
INPUT	R294		943125004120S	943125004120S	RES.	470 OHM 1/2W METAL CRG12SANJ471T
INPUT	R295		943125004120S	943125004120S	RES.	470 OHM 1/2W METAL CRG12SANJ471T
INPUT	R296		nsp	nsp	CORD	SN95/PB5 0.6 C3A206
INPUT	R297		nsp	nsp	CORD	SN95/PB5 0.6 C3A206
INPUT	R298		nsp	nsp	RES.	3.3K OHM 2W J METAL OXIDE FILM CRG2ANJ332H
INPUT	R299		nsp	nsp	RES.	3.3K OHM 2W J METAL OXIDE FILM CRG2ANJ332H
INPUT	R300		nsp	nsp	RES.	22 OHM 1/6W J CARBON CRD20TJ220T
INPUT	R301		nsp	nsp	RES.	22 OHM 1/6W J CARBON CRD20TJ220T
INPUT	R302		nsp	nsp	RES.	22 OHM 1/6W J CARBON CRD20TJ220T
INPUT	R303		nsp	nsp	RES.	22 OHM 1/6W J CARBON CRD20TJ220T
INPUT	R304		nsp	nsp	RES.	100 OHM 1/6W J CARBON CRD20TJ101T
INPUT	R305		nsp	nsp	RES.	100 OHM 1/6W J CARBON CRD20TJ101T
INPUT	R306		nsp	nsp	RES.	33K OHM 1/6W J CARBON CRD20TJ333T
INPUT	R307		nsp	nsp	RES.	33K OHM 1/6W J CARBON CRD20TJ333T
INPUT	R308		nsp	nsp	RES.	15K OHM 1/6W J CARBON CRD20TJ153T
INPUT	R309		nsp	nsp	RES.	15K OHM 1/6W J CARBON CRD20TJ153T
INPUT	R310		nsp	nsp	RES.	3.3K OHM 2W J METAL OXIDE FILM CRG2ANJ332H
INPUT	R311		nsp	nsp	RES.	3.3K OHM 2W J METAL OXIDE FILM CRG2ANJ332H
INPUT	R312		nsp	nsp	RES.	15K OHM 1/6W J CARBON CRD20TJ153T
INPUT	R313		nsp	nsp	RES.	15K OHM 1/6W J CARBON CRD20TJ153T

NOTE : "nsp" PART IS LISTED FOR REFERENCE ONLY, MARANTZ WILL NOT SUPPLY THESE PARTS.

P.W.B. NAME	POS. NO.	VERS. COLOR	PART NO. (FOR EUR)	PART NO. (MZ)	PART NAME	DESCRIPTION	
INPUT	R314		nsp	nsp	RES.	470 OHM 1/4W J CARBON	CRD25FJ471T
INPUT	R315		nsp	nsp	RES.	470 OHM 1/4W J CARBON	CRD25FJ471T
INPUT	R316		nsp	nsp	RES.	22 OHM 1/6W J CARBON	CRD20TJ220T
INPUT	R317		nsp	nsp	RES.	22 OHM 1/6W J CARBON	CRD20TJ220T
INPUT	R318		nsp	nsp	RES.	22 OHM 1/6W J CARBON	CRD20TJ220T
INPUT	R319		nsp	nsp	RES.	22 OHM 1/6W J CARBON	CRD20TJ220T
INPUT	R320		nsp	nsp	RES.	470 OHM 1/4W J CARBON	CRD25FJ471T
INPUT	R321		nsp	nsp	RES.	470 OHM 1/4W J CARBON	CRD25FJ471T
INPUT	R322		nsp	nsp	RES.	1M OHM 1/6W J CARBON	CRD20TJ105T
INPUT	R323		nsp	nsp	RES.	1M OHM 1/6W J CARBON	CRD20TJ105T
INPUT	R324		nsp	nsp	RES.	1M OHM 1/6W J CARBON	CRD20TJ105T
INPUT	R325		nsp	nsp	RES.	1M OHM 1/6W J CARBON	CRD20TJ105T
INPUT	R327		nsp	nsp	RES.	150 OHM 1/4 J CARBON	CRD25FJ151T
INPUT	R328		nsp	nsp	RES.	150 OHM 1/4 J CARBON	CRD25FJ151T
INPUT	R333		nsp	nsp	RES.	910 OHM 1/6W J CARBON	CRD20TJ911T
INPUT	R334		nsp	nsp	RES.	910 OHM 1/6W J CARBON	CRD20TJ911T
INPUT	R335		nsp	nsp	RES.	150 OHM 1/4 J CARBON	CRD25FJ151T
INPUT	R336		nsp	nsp	RES.	150 OHM 1/4 J CARBON	CRD25FJ151T
INPUT	R337		nsp	nsp	RES.	10 OHM 1/4W CARBON	CRD25FJ100T
INPUT	R338		nsp	nsp	RES.	10 OHM 1/4W CARBON	CRD25FJ100T
INPUT	R339		nsp	nsp	RES.	10 OHM 1/4W CARBON	CRD25FJ100T
INPUT	R340		nsp	nsp	RES.	10 OHM 1/4W CARBON	CRD25FJ100T
INPUT	R341		nsp	nsp	RES.	1K OHM 1/6W J CARBON	CRD20TJ102T
INPUT	R342		nsp	nsp	RES.	1K OHM 1/6W J CARBON	CRD20TJ102T
INPUT	R343		nsp	nsp	RES.	4.7K OHM 1/6W J CARBON	CRD20TJ472T
INPUT	R344		nsp	nsp	RES.	4.7K OHM 1/6W J CARBON	CRD20TJ472T
INPUT	R345		nsp	nsp	RES.	100 OHM 1/4W CARBON	CRD25FJ101T
INPUT	R346		nsp	nsp	RES.	100 OHM 1/4W CARBON	CRD25FJ101T
INPUT	R347		nsp	nsp	RES.	100 OHM 1/4W CARBON	CRD25FJ101T
INPUT	R348		nsp	nsp	RES.	100 OHM 1/4W CARBON	CRD25FJ101T
INPUT	R349		nsp	nsp	RES.	47 OHM 1/4W J CARBON	CRD25FJ470T
INPUT	R350		nsp	nsp	RES.	47 OHM 1/4W J CARBON	CRD25FJ470T
INPUT	R351		nsp	nsp	RES.	47 OHM 1/4W J CARBON	CRD25FJ470T
INPUT	R352		nsp	nsp	RES.	47 OHM 1/4W J CARBON	CRD25FJ470T
INPUT	R353		nsp	nsp	RES.	220 OHM 1/4W J CARBON	CRD25FJ221T
INPUT	R354		nsp	nsp	RES.	220 OHM 1/4W J CARBON	CRD25FJ221T
INPUT	R355		nsp	nsp	RES.	10 OHM 1/4W CARBON	CRD25FJ100T
INPUT	R356		nsp	nsp	RES.	10 OHM 1/4W CARBON	CRD25FJ100T
INPUT	R357		nsp	nsp	RES.	10 OHM 1/4W CARBON	CRD25FJ100T
INPUT	R358		nsp	nsp	RES.	10 OHM 1/4W CARBON	CRD25FJ100T
INPUT	R359		943129004130S	943129004130S	RES.	0.22 OHM CEMENT	CRF3EKR22H
INPUT	R360		943129004130S	943129004130S	RES.	0.22 OHM CEMENT	CRF3EKR22H
INPUT	R361		943129004130S	943129004130S	RES.	0.22 OHM CEMENT	CRF3EKR22H
INPUT	R362		943129004130S	943129004130S	RES.	0.22 OHM CEMENT	CRF3EKR22H
INPUT	R363		nsp	nsp	CORD	SN95/PB5 0.6	C3A206
INPUT	R364		nsp	nsp	CORD	SN95/PB5 0.6	C3A206
INPUT	R365		nsp	nsp	CORD	SN95/PB5 0.6	C3A206
INPUT	R366		nsp	nsp	CORD	SN95/PB5 0.6	C3A206
INPUT	R367		nsp	nsp	RES.	10 OHM 2W META OXIDE FILM	CRG2ANJ100H
INPUT	R368		nsp	nsp	RES.	10 OHM 2W META OXIDE FILM	CRG2ANJ100H
INPUT	R371		nsp	nsp	RES.	1K OHM 1/6W J CARBON	CRD20TJ102T
INPUT	R372		nsp	nsp	RES.	1K OHM 1/6W J CARBON	CRD20TJ102T
INPUT	R373		nsp	nsp	RES.	22K OHM 1/6W J CARBON	CRD20TJ223T
INPUT	R374		nsp	nsp	RES.	22K OHM 1/6W J CARBON	CRD20TJ223T
INPUT	R375		nsp	nsp	RES.	1.5K OHM 1/6W J CARBON	CRD20TJ152T
INPUT	R376		nsp	nsp	RES.	1.5K OHM 1/6W J CARBON	CRD20TJ152T
INPUT	R377		nsp	nsp	RES.	22K OHM 1/6W J CARBON	CRD20TJ223T
INPUT	R378		nsp	nsp	RES.	22K OHM 1/6W J CARBON	CRD20TJ223T
INPUT	R379		nsp	nsp	RES.	6.8K OHM 1/6W J CARBON	CRD20TJ682T
INPUT	R381		nsp	nsp	RES.	33K OHM 1/6W J CARBON	CRD20TJ333T
INPUT	R382		nsp	nsp	RES.	33K OHM 1/6W J CARBON	CRD20TJ333T
INPUT	R383		nsp	nsp	RES.	22K OHM 1/6W J CARBON	CRD20TJ223T
INPUT	R385		nsp	nsp	RES.	10K OHM 1/6W J CARBON	CRD20TJ103T
INPUT	R386		nsp	nsp	RES.	10K OHM 1/6W J CARBON	CRD20TJ103T
INPUT	R387		nsp	nsp	RES.	10K OHM 1/6W J CARBON	CRD20TJ103T
INPUT	R388		nsp	nsp	RES.	33K OHM 1/6W J CARBON	CRD20TJ333T
INPUT	R389		nsp	nsp	RES.	33K OHM 1/6W J CARBON	CRD20TJ333T

NOTE : \*nsp\* PART IS LISTED FOR REFERENCE ONLY, MARANTZ WILL NOT SUPPLY THESE PARTS.



P.W.B. NAME	POS. NO.	VERS. COLOR	PART NO. (FOR EUR)	PART NO. (MZ)	PART NAME	DESCRIPTION
INPUT	R390		nsp	nsp	RES.	100 OHM 1/6W J CARBON CRD20TJ101T
INPUT	R391		nsp	nsp	RES.	33K OHM 1/6W J CARBON CRD20TJ333T
INPUT	R392		nsp	nsp	RES.	18K OHM 1/6W J CARBON CRD20TJ183T
INPUT	R393		nsp	nsp	RES.	10K OHM 1/6W J CARBON CRD20TJ103T
INPUT	R394		nsp	nsp	RES.	47K OHM 1/6W J CARBON CRD20TJ473T
INPUT	R395		nsp	nsp	RES.	10K OHM 1/6W J CARBON CRD20TJ103T
INPUT	R396		nsp	nsp	RES.	47K OHM 1/6W J CARBON CRD20TJ473T
INPUT	R397		nsp	nsp	RES.	10K OHM 1/6W J CARBON CRD20TJ103T
INPUT	R398		nsp	nsp	RES.	47K OHM 1/6W J CARBON CRD20TJ473T
INPUT	R399		nsp	nsp	RES.	82 OHM 1/6W J CARBON CRD20TJ820T
INPUT	R400		nsp	nsp	RES.	82 OHM 1/6W J CARBON CRD20TJ820T
INPUT	R691		nsp	nsp	RES.	330 OHM 1W METAL OXIDE FILM CRG1ANJ331H
INPUT	R692		nsp	nsp	RES.	330 OHM 1W METAL OXIDE FILM CRG1ANJ331H
INPUT	R905		nsp	nsp	RES.	22K OHM 1/4W J CARBON CRD25TJ223T
INPUT	R906		nsp	nsp	RES.	22K OHM 1/4W J CARBON CRD25TJ223T
INPUT	▲ R911		90M-NH000080R	90M-NH000080R	FUSE RES.	! 0.47 OHM 1W J CRQ1AJR47H
INPUT	▲ R912		90M-NH000080R	90M-NH000080R	FUSE RES.	! 0.47 OHM 1W J CRQ1AJR47H
INPUT	R913		nsp	nsp	RES.	4.7K OHM 1/6W J CARBON CRD20TJ472T
INPUT	R914		nsp	nsp	RES.	22K OHM 1/6W J CARBON CRD20TJ223T
INPUT	R915		nsp	nsp	RES.	47K OHM 1/6W J CARBON CRD20TJ473T
INPUT	R918		nsp	nsp	RES.	180 OHM 1/4W J CARBON CRD25TJ181T
INPUT	R919		nsp	nsp	RES.	22K OHM 1/6W J CARBON CRD20TJ223T
INPUT	R920		nsp	nsp	RES.	22K OHM 1/6W J CARBON CRD20TJ223T
INPUT	R921		nsp	nsp	RES.	1.2K OHM 1/6W J CARBON CRD20TJ122T
INPUT	R922		nsp	nsp	RES.	1K OHM 1/6W J CARBON CRD20TJ102T
INPUT	R923		nsp	nsp	RES.	33K OHM 1/6W J CARBON CRD20TJ333T
INPUT	R924		nsp	nsp	RES.	22K OHM 1/6W J CARBON CRD20TJ223T
INPUT	R925		nsp	nsp	RES.	22K OHM 1/6W J CARBON CRD20TJ223T
INPUT	R926		nsp	nsp	RES.	22K OHM 1/6W J CARBON CRD20TJ223T
INPUT	R927		nsp	nsp	RES.	6.8K OHM 1/6W J CARBON CRD20TJ682T
INPUT	R928		nsp	nsp	RES.	10K OHM 1/6W J CARBON CRD20TJ103T
INPUT	R929		nsp	nsp	RES.	10K OHM 1/6W J CARBON CRD20TJ103T
INPUT	R939		nsp	nsp	RES.	1K OHM 1/6W J CARBON CRD20TJ102T
INPUT	R940		nsp	nsp	RES.	4.7K OHM 1/6W J CARBON CRD20TJ472T
INPUT	R941		nsp	nsp	RES.	15K OHM 1/6W J CARBON CRD20TJ153T
INPUT	R942		nsp	nsp	RES.	10K OHM 1/6W J CARBON CRD20TJ103T
INPUT	R943		nsp	nsp	RES.	15K OHM 1/6W J CARBON CRD20TJ153T
INPUT	R944		nsp	nsp	RES.	22K OHM 1/6W J CARBON CRD20TJ223T
INPUT	R945		nsp	nsp	RES.	22K OHM 1/6W J CARBON CRD20TJ223T
INPUT	R946		nsp	nsp	RES.	22K OHM 1/6W J CARBON CRD20TJ223T
INPUT	R947		nsp	nsp	RES.	33K OHM 1/6W J CARBON CRD20TJ333T
INPUT	R948		nsp	nsp	RES.	15K OHM 1/6W J CARBON CRD20TJ153T
INPUT	R949		nsp	nsp	RES.	15K OHM 1/6W J CARBON CRD20TJ153T
INPUT	R950		nsp	nsp	RES.	15K OHM 1/6W J CARBON CRD20TJ153T
INPUT	R951		nsp	nsp	RES.	15K OHM 1/6W J CARBON CRD20TJ153T
INPUT	R952		nsp	nsp	RES.	10K OHM 1/6W J CARBON CRD20TJ103T
INPUT	R953		nsp	nsp	RES.	10K OHM 1/6W J CARBON CRD20TJ103T
INPUT	RY31		943682000810S	943682000810S	RELAY	BC3-12H 12V 2C2P CSL4A016ZU
INPUT	RY32		90M-LY000330R	90M-LY000330R	RELAY	OSA-SS-212DM3 HSL4A004ZU
INPUT	RY33		90M-LY000330R	90M-LY000330R	RELAY	OSA-SS-212DM3 HSL4A004ZU
INPUT	S8		nsp	nsp	SCREW	SCREW CTW3+12JR
INPUT	TH91		90M-HP000090R	90M-HP000090R	VARIATOR	POSISTOR ASSY CRTSYPSX06850JD
INPUT	VR31		90M-RA001100R	90M-RA001100R	TRIM. RES.	220 OHM CVN1RA221B02T
INPUT	VR32		90M-RA001100R	90M-RA001100R	TRIM. RES.	220 OHM CVN1RA221B02T
INPUT			nsp	nsp	BRACKET	A4-97-2814 CMD1A366
INPUT			nsp	nsp	BRACKET	A4-97-2815 CMD1A367
					<b>MASTER VOLUME PWB (CUP12100Z-2)</b>	
M VOL	BN12		nsp	nsp	CORD	WIRE ASSY 2.5MM(04P) SHIELD CWZPM48BN33
M VOL	C401		nsp	00MOA10605020	ELECT CAP.	10UF 50V CCEA1HH100T
M VOL	C402		nsp	00MOA10605020	ELECT CAP.	10UF 50V CCEA1HH100T
M VOL	C403		nsp	nsp	CER. CAP.	100PF 50V K CCBS1H101KBT
M VOL	C404		nsp	nsp	CER. CAP.	100PF 50V K CCBS1H101KBT
M VOL	C405		nsp	nsp	FILM CAP.	470PF 50V J -
M VOL	C406		nsp	nsp	FILM CAP.	470PF 50V J -
M VOL	C407		nsp	00MOA22605020	ELECT CAP.	22UF 50V CCEA1HH220T
M VOL	C408		nsp	00MOA22605020	ELECT CAP.	22UF 50V CCEA1HH220T
M VOL	C409		nsp	nsp	CER. CAP.	10PF 50V JC CCBS1H100JCT

NOTE : "nsp" PART IS LISTED FOR REFERENCE ONLY, MARANTZ WILL NOT SUPPLY THESE PARTS.



P.W.B. NAME	POS. NO.	VERS. COLOR	PART NO. (FOR EUR)	PART NO. (MZ)	PART NAME	DESCRIPTION	
M VOL	C410		nsp	nsp	CER. CAP.	10PF 50V JC	CCBS1H100JCT
M VOL	C413		nsp	00MOA10702520	ELECT CAP.	100UF 25V	CCEA1EH101T
M VOL	C414		nsp	00MOA10702520	ELECT CAP.	100UF 25V	CCEA1EH101T
M VOL	C415		nsp	00MOA22702520	ELECT CAP.	220UF 25V	CCEA1EH221T
M VOL	C416		nsp	00MOA22702520	ELECT CAP.	220UF 25V	CCEA1EH221T
M VOL	C417		nsp	nsp	FILM CAP.	1000PF 100V J MYLAR	HCQ11H102JZT
M VOL	C418		nsp	nsp	FILM CAP.	1000PF 100V J MYLAR	HCQ11H102JZT
M VOL	C419		nsp	nsp	FILM CAP.	0.1UF 100V J	HCQ11H104JZT
M VOL	C420		nsp	nsp	FILM CAP.	0.1UF 100V J	HCQ11H104JZT
M VOL	C421		nsp	00MOA10605020	ELECT CAP.	10UF 50V	CCEA1HH100T
M VOL	C423		nsp	nsp	FILM CAP.	0.01UF 100V J	HCQ11H103JZT
M VOL	C681		nsp	00MOA22701620	ELECT CAP.	220UF 16V	CCEA1CH221T
M VOL	C687		nsp	00MOA10605020	ELECT CAP.	10UF 50V	CCEA1HH100T
M VOL	C688		nsp	00MOA10605020	ELECT CAP.	10UF 50V	CCEA1HH100T
M VOL	CB52		943644004070S	943644004070S	CONN.	7P PIN HEADER ANGLE	CJP07GF230ZB
M VOL	CN56		nsp	nsp	CONN.	00906-0027 4P STRAIGHT	CJP04GA19ZY
M VOL	D401		nsp	00MHD20015210	DIODE	1SS133T-77	CVD1SS133MT
M VOL	D402		nsp	00MHD20015210	DIODE	1SS133T-77	CVD1SS133MT
M VOL	D403		nsp	00MHD20015210	DIODE	1SS133T-77	CVD1SS133MT
M VOL	D404		nsp	00MHD20015210	DIODE	1SS133T-77	CVD1SS133MT
M VOL	D405		nsp	00MHD20015210	DIODE	1SS133T-77	CVD1SS133MT
M VOL	IC41		00MHC10102090	00MHC10102090	IC	NJM2068MD-TE1	HVINJM2068MDTE1
M VOL	IC42		00MHC10102090	00MHC10102090	IC	NJM2068MD-TE1	HVINJM2068MDTE1
M VOL	J117		nsp	nsp	CORD	SN95/PB5 0.6	C3A206
M VOL	J118		nsp	nsp	CORD	SN95/PB5 0.6	C3A206
M VOL	J130		nsp	nsp	CORD	SN95/PB5 0.6	C3A206
M VOL	J134		nsp	nsp	CORD	SN95/PB5 0.6	C3A206
M VOL	J135		nsp	nsp	CORD	SN95/PB5 0.6	C3A206
M VOL	J136		nsp	nsp	CORD	SN95/PB5 0.6	C3A206
M VOL	J137		nsp	nsp	CORD	SN95/PB5 0.6	C3A206
M VOL	J207		nsp	nsp	CORD	SN95/PB5 0.6	C3A206
M VOL	J213		nsp	nsp	CORD	SN95/PB5 0.6	C3A206
M VOL	J215		nsp	nsp	CORD	SN95/PB5 0.6	C3A206
M VOL	J242		nsp	nsp	CORD	SN95/PB5 0.6	C3A206
M VOL	J247		nsp	nsp	CORD	SN95/PB5 0.6	C3A206
M VOL	J308		nsp	nsp	CORD	SN95/PB5 0.6	C3A206
M VOL	J309		nsp	nsp	CORD	SN95/PB5 0.6	C3A206
M VOL	J322		nsp	nsp	CORD	SN95/PB5 0.6	C3A206
M VOL	J325		nsp	nsp	CORD	SN95/PB5 0.6	C3A206
M VOL	J326		nsp	nsp	CORD	SN95/PB5 0.6	C3A206
M VOL	J413		nsp	nsp	CORD	SN95/PB5 0.6	C3A206
M VOL	J416		nsp	nsp	CORD	SN95/PB5 0.6	C3A206
M VOL	J417		nsp	nsp	CORD	SN95/PB5 0.6	C3A206
M VOL	J507		nsp	nsp	CORD	SN95/PB5 0.6	C3A206
M VOL	J604		nsp	nsp	CORD	SN95/PB5 0.6	C3A206
M VOL	J605		nsp	nsp	CORD	SN95/PB5 0.6	C3A206
M VOL	J606		nsp	nsp	CORD	SN95/PB5 0.6	C3A206
M VOL	J607		nsp	nsp	CORD	SN95/PB5 0.6	C3A206
M VOL	JW52		nsp	nsp	CORD	ST710388-5298T	CWZPM48JW52
M VOL	Q401		00MHT800931A0	00MHT800931A0	TRS.	KTC3200GR	HVTKTC3200GRT
M VOL	Q402		00MHT800931A0	00MHT800931A0	TRS.	KTC3200GR	HVTKTC3200GRT
M VOL	Q403		00MHT600121A0	00MHT600121A0	TRS.	KTA1268GR	HVTKTA1268GRT
M VOL	Q404		00MHT600121A0	00MHT600121A0	TRS.	KTA1268GR	HVTKTA1268GRT
M VOL	Q405		00MHT600121A0	00MHT600121A0	TRS.	KTA1268GR	HVTKTA1268GRT
M VOL	Q406		00MHT600121A0	00MHT600121A0	TRS.	KTA1268GR	HVTKTA1268GRT
M VOL	Q407		00MHT800931A0	00MHT800931A0	TRS.	KTC3200GR	HVTKTC3200GRT
M VOL	Q408		00MHT800931A0	00MHT800931A0	TRS.	KTC3200GR	HVTKTC3200GRT
M VOL	Q409		00MHT800931A0	00MHT800931A0	TRS.	KTC3200GR	HVTKTC3200GRT
M VOL	Q410		00MHT800931A0	00MHT800931A0	TRS.	KTC3200GR	HVTKTC3200GRT
M VOL	Q411		00MHT600121A0	00MHT600121A0	TRS.	KTA1268GR	HVTKTA1268GRT
M VOL	Q412		00MHT600121A0	00MHT600121A0	TRS.	KTA1268GR	HVTKTA1268GRT
M VOL	Q413		00MBA20001000	00MBA20001000	TRS.	KRC102M	HVTKRC102MT
M VOL	Q683		90M-HT900080R	90M-HT900080R	TRS.	KSD1021Y	HVTKSD1021YT
M VOL	Q684		90M-HT900080R	90M-HT900080R	TRS.	KSD1021Y	HVTKSD1021YT
M VOL	Q687		90M-HT700060R	90M-HT700060R	TRS.	KSB811Y	HVTKSB811YT
M VOL	Q688		90M-HT700060R	90M-HT700060R	TRS.	KSB811Y	HVTKSB811YT
M VOL	R400			nsp	RES.	100 OHM 1/6W J CARBON	CRD20TJ101T

NOTE : \*nsp\* PART IS LISTED FOR REFERENCE ONLY, MARANTZ WILL NOT SUPPLY THESE PARTS.

P.W.B. NAME	POS. NO.	VERS. COLOR	PART NO. (FOR EUR)	PART NO. (MZ)	PART NAME	DESCRIPTION
M VOL	R401		nsp	nsp	RES.	56K OHM 1/6W J CARBON CRD20TJ563T
M VOL	R402		nsp	nsp	RES.	56K OHM 1/6W J CARBON CRD20TJ563T
M VOL	R403		nsp	nsp	RES.	330 OHM 1/6W J CARBON CRD20TJ331T
M VOL	R404		nsp	nsp	RES.	330 OHM 1/6W J CARBON CRD20TJ331T
M VOL	R405		nsp	nsp	RES.	100 OHM 1/6W J CARBON CRD20TJ101T
M VOL	R406		nsp	nsp	RES.	100 OHM 1/6W J CARBON CRD20TJ101T
M VOL	R407		nsp	nsp	RES.	22 OHM 1/6W J CARBON CRD20TJ220T
M VOL	R408		nsp	nsp	RES.	22 OHM 1/6W J CARBON CRD20TJ220T
M VOL	R409		nsp	nsp	RES.	22 OHM 1/6W J CARBON CRD20TJ220T
M VOL	R410		nsp	nsp	RES.	22 OHM 1/6W J CARBON CRD20TJ220T
M VOL	R411		nsp	nsp	RES.	12K OHM 1/6W J CARBON CRD20TJ123T
M VOL	R412		nsp	nsp	RES.	12K OHM 1/6W J CARBON CRD20TJ123T
M VOL	R413		nsp	nsp	RES.	12K OHM 1/6W J CARBON CRD20TJ123T
M VOL	R414		nsp	nsp	RES.	12K OHM 1/6W J CARBON CRD20TJ123T
M VOL	R415		nsp	nsp	RES.	470 OHM 1/6W J CARBON CRD20TJ471T
M VOL	R416		nsp	nsp	RES.	470 OHM 1/6W J CARBON CRD20TJ471T
M VOL	R417		nsp	nsp	RES.	470 OHM 1/6W J CARBON CRD20TJ471T
M VOL	R418		nsp	nsp	RES.	470 OHM 1/6W J CARBON CRD20TJ471T
M VOL	R419		nsp	nsp	RES.	22 OHM 1/6W J CARBON CRD20TJ220T
M VOL	R420		nsp	nsp	RES.	22 OHM 1/6W J CARBON CRD20TJ220T
M VOL	R421		nsp	nsp	RES.	22 OHM 1/6W J CARBON CRD20TJ220T
M VOL	R422		nsp	nsp	RES.	22 OHM 1/6W J CARBON CRD20TJ220T
M VOL	R423		nsp	nsp	RES.	330 OHM 1/6W J CARBON CRD20TJ331T
M VOL	R424		nsp	nsp	RES.	330 OHM 1/6W J CARBON CRD20TJ331T
M VOL	R425		nsp	nsp	RES.	330 OHM 1/6W J CARBON CRD20TJ331T
M VOL	R426		nsp	nsp	RES.	330 OHM 1/6W J CARBON CRD20TJ331T
M VOL	R427		nsp	nsp	RES.	1M OHM 1/6W J CARBON CRD20TJ105T
M VOL	R428		nsp	nsp	RES.	1M OHM 1/6W J CARBON CRD20TJ105T
M VOL	R429		nsp	nsp	RES.	33K OHM 1/6W J CARBON CRD20TJ333T
M VOL	R430		nsp	nsp	RES.	33K OHM 1/6W J CARBON CRD20TJ333T
M VOL	R431		nsp	nsp	RES.	100 OHM 1/6W J CARBON CRD20TJ101T
M VOL	R432		nsp	nsp	RES.	100 OHM 1/6W J CARBON CRD20TJ101T
M VOL	R433		nsp	nsp	RES.	220 OHM 1/6W J CARBON CRD20TJ221T
M VOL	R434		nsp	nsp	RES.	220 OHM 1/6W J CARBON CRD20TJ221T
M VOL	R435		nsp	nsp	RES.	270 OHM 1/6W J CARBON CRD20TJ271T
M VOL	R436		nsp	nsp	RES.	270 OHM 1/6W J CARBON CRD20TJ271T
M VOL	R437		nsp	nsp	RES.	22 OHM 1/6W J CARBON CRD20TJ220T
M VOL	R438		nsp	nsp	RES.	22 OHM 1/6W J CARBON CRD20TJ220T
M VOL	R439		nsp	nsp	RES.	330 OHM 1/6W J CARBON CRD20TJ331T
M VOL	R440		nsp	nsp	RES.	330 OHM 1/6W J CARBON CRD20TJ331T
M VOL	R441		nsp	nsp	RES.	3.3K OHM 1/6W J CARBON CRD20TJ332T
M VOL	R442		nsp	nsp	RES.	3.3K OHM 1/6W J CARBON CRD20TJ332T
M VOL	R443		nsp	nsp	RES.	5.6K OHM 1/6W J CARBON CRD20TJ562T
M VOL	R444		nsp	nsp	RES.	5.6K OHM 1/6W J CARBON CRD20TJ562T
M VOL	R446		nsp	nsp	CORD	SN95/PB5 0.6 C3A206
M VOL	R447		nsp	nsp	CORD	SN95/PB5 0.6 C3A206
M VOL	R448		nsp	nsp	RES.	220 OHM 1/6W J CARBON CRD20TJ221T
M VOL	R450		nsp	nsp	RES.	100K OHM 1/6W J CARBON CRD20TJ104T
M VOL	R451		nsp	nsp	RES.	100K OHM 1/6W J CARBON CRD20TJ104T
M VOL	R459		nsp	nsp	RES.	220 OHM 1/6W J CARBON CRD20TJ221T
M VOL	R681		nsp	nsp	RES.	10 OHM 1/6W J CARBON CRD20TJ100T
M VOL	R683		nsp	nsp	RES.	2.2K OHM 1/6W J CARBON CRD20TJ222T
M VOL	R684		nsp	nsp	RES.	2.2K OHM 1/6W J CARBON CRD20TJ222T
M VOL	R685		nsp	nsp	RES.	47K OHM 1/6W J CARBON CRD20TJ473T
M VOL	R686		nsp	nsp	RES.	47K OHM 1/6W J CARBON CRD20TJ473T
M VOL	R687		nsp	nsp	RES.	2.2K OHM 1/6W J CARBON CRD20TJ222T
M VOL	R688		nsp	nsp	RES.	2.2K OHM 1/6W J CARBON CRD20TJ222T
M VOL	RY41		943682000810S	943682000810S	RELAY	BC3-12H 12V 2C2P CSL4A016ZU
M VOL	VR53		90M-RB000070R	90M-RB000070R	VAR. RES.	VR MOTOR CVV9Y13B503Z
					<b>POWER SW PWB (CUP12100Z-5)</b>	
P SW	BN96		nsp	nsp	CORD	2P WIRE ASSY 300MM CWZPM5003BN96
P SW	 C901		90M-DK100770R	90M-DK100770R	CER. CAP.	! 0.0047UF 2.5KV CERAMIC KCKDKS472ME
P SW	 SW91		90M-SP001250R	90M-SP001250R	SW	! JPP1197CSA64 KSH1A001ZV
					<b>SUB TRANSF. PWB (CUP12100Z-2)</b>	
SUB T	BK01		nsp	nsp	BRACKET	BRACKET FOR PWB CMD1A569
SUB T	BK03	F B	nsp	nsp	BRACKET	BRACKET SHIELD CMD1A512
SUB T	BK03	F N	nsp	nsp	BRACKET	BRACKET SHIELD CMD1A512

NOTE : "nsp" PART IS LISTED FOR REFERENCE ONLY, MARANTZ WILL NOT SUPPLY THESE PARTS.

P.W.B. NAME	POS. NO.	VERS. COLOR	PART NO. (FOR EUR)	PART NO. (MZ)	PART NAME	DESCRIPTION	
SUB T	BK03	/U1B	nsp	nsp	BRACKET	BRACKET SHIELD	CMD1A512
SUB T	C127	F B	nsp	nsp	CER. CAP.	0.1UF 50V Z CERAMIC	CCBS1H104ZFT
SUB T	C127	F N	nsp	nsp	CER. CAP.	0.1UF 50V Z CERAMIC	CCBS1H104ZFT
SUB T	C127	/U1B	nsp	nsp	CER. CAP.	0.1UF 50V Z CERAMIC	CCBS1H104ZFT
SUB T	C128	F B	nsp	00MOA10701020	ELECT CAP.	100UF 10V ZF	CCEA1AH101T
SUB T	C128	F N	nsp	00MOA10701020	ELECT CAP.	100UF 10V ZF	CCEA1AH101T
SUB T	C128	/U1B	nsp	00MOA10701020	ELECT CAP.	100UF 10V ZF	CCEA1AH101T
SUB T	C925		nsp	nsp	CER. CAP.	0.1UF 50V ZF	CCFT1H104ZF
SUB T	C926		nsp	00MOA10605020	ELECT CAP.	10UF 50V	CCEA1HH100T
SUB T	▲C930		90M-DK100770R	90M-DK100770R	CER. CAP.	! 0.0047UF 2.5KV CERAMIC	KCKDKS472ME
SUB T	C931		nsp	00MOA10802520	ELECT CAP.	1000UF 25V	CCEA1EH102E
SUB T	C932		nsp	00MOA10701620	ELECT CAP.	100UF 16V	CCEA1CH101T
SUB T	C934		nsp	nsp	CER. CAP.	0.022UF 50V Z CERAMIC	CCBS1H223ZFT
SUB T	C936		nsp	nsp	CER. CAP.	100PF 50V KB	CCKT1H101KB
SUB T	CN93		nsp	nsp	CONN.	7P STRAIGHT 20017WS-07	CJP07GA19ZY
SUB T	CN96		nsp	nsp	CONN.	MOLEX35328-02	CJP02GA89ZM
SUB T	CN97		nsp	nsp	CONN.	2PIN CJP02GA19ZY	CJP02GA19ZY
SUB T	D101	F B	nsp	00MHD20015210	DIODE	1SS133T-77	CVD1SS133MT
SUB T	D101	F N	nsp	00MHD20015210	DIODE	1SS133T-77	CVD1SS133MT
SUB T	D101	/U1B	nsp	00MHD20015210	DIODE	1SS133T-77	CVD1SS133MT
SUB T	D102	F B	nsp	90M-HI200020R	L.E.D.	SIR-34ST3F	BVDSIR34ST3F
SUB T	D102	F N	nsp	90M-HI200020R	L.E.D.	SIR-34ST3F	BVDSIR34ST3F
SUB T	D102	/U1B	nsp	90M-HI200020R	L.E.D.	SIR-34ST3F	BVDSIR34ST3F
SUB T	D907		nsp	00MHD20015210	DIODE	1SS133T-77	CVD1SS133MT
SUB T	D908		nsp	00MHD20015210	DIODE	1SS133T-77	CVD1SS133MT
SUB T	D909		nsp	00MHD20015210	DIODE	1SS133T-77	CVD1SS133MT
SUB T	D910		90M-HD302460R	90M-HD302460R	ZENER DIODE	ZJ5.6B 1/2W	CVDZJ5.6BT
SUB T	D927		nsp	00MHD20015210	DIODE	1SS133T-77	CVD1SS133MT
SUB T	D929		nsp	00MHD20015210	DIODE	1SS133T-77	CVD1SS133MT
SUB T	D930		nsp	90M-HD201730R	DIODE	1N4003	CVD1N4003ST
SUB T	D931		nsp	90M-HD201730R	DIODE	1N4003	CVD1N4003ST
SUB T	D932		nsp	90M-HD201730R	DIODE	1N4003	CVD1N4003ST
SUB T	D933		nsp	90M-HD201730R	DIODE	1N4003	CVD1N4003ST
SUB T	D934		nsp	00MHD20015210	DIODE	1SS133T-77	CVD1SS133MT
SUB T	▲F901	F B	nsp	90M-FS001060R	FUSE	! T3.15A 250V	KBA2C3150TLEZ
SUB T	▲F901	F N	nsp	90M-FS001060R	FUSE	! T3.15A 250V	KBA2C3150TLEZ
SUB T	▲F901	/N1B	90M-FS001050R	90M-FS001050R	FUSE	! T1.6A 250V	KBA2C1600TLEZ
SUB T	▲F901	/N1SG	90M-FS001050R	90M-FS001050R	FUSE	! T1.6A 250V	KBA2C1600TLEZ
SUB T	▲F901	/U1B	nsp	90M-FS001060R	FUSE	! T3.15A 250V	KBA2C3150TLEZ
SUB T	F901(1)		nsp	nsp	CONN.	HOLDER FUSE	KJCF5S
SUB T	▲F902	F B	nsp	90M-FS001070R	FUSE	! AC250V T2.5AL	KBA2D2500TLET
SUB T	▲F902	F N	nsp	90M-FS001070R	FUSE	! AC250V T2.5AL	KBA2D2500TLET
SUB T	▲F902	/U1B	nsp	90M-FS001070R	FUSE	! AC250V T2.5AL	KBA2D2500TLET
SUB T	▲F903	F B	nsp	90M-FS001070R	FUSE	! AC250V T2.5AL	KBA2D2500TLET
SUB T	▲F903	F N	nsp	90M-FS001070R	FUSE	! AC250V T2.5AL	KBA2D2500TLET
SUB T	▲F903	/U1B	nsp	90M-FS001070R	FUSE	! AC250V T2.5AL	KBA2D2500TLET
SUB T	IC12	F B	nsp	90M-HW100690R	PHOTO UNIT	RPM674CBR-S	CRVRPM6936
SUB T	IC12	F N	nsp	90M-HW100690R	PHOTO UNIT	RPM674CBR-S	CRVRPM6936
SUB T	IC12	/U1B	nsp	90M-HW100690R	PHOTO UNIT	RPM674CBR-S	CRVRPM6936
SUB T	▲IC96		90M-HC300690R	90M-HC300690R	IC	! KIA278R05PI	HVIKIA278R05PI
SUB T	J121		nsp	nsp	CORD	SN95/PB5 0.6	C3A206
SUB T	J122		nsp	nsp	CORD	SN95/PB5 0.6	C3A206
SUB T	J210		nsp	nsp	CORD	SN95/PB5 0.6	C3A206
SUB T	J232		nsp	nsp	CORD	SN95/PB5 0.6	C3A206
SUB T	J319		nsp	nsp	CORD	SN95/PB5 0.6	C3A206
SUB T	J320		nsp	nsp	CORD	SN95/PB5 0.6	C3A206
SUB T	J603		nsp	nsp	CORD	SN95/PB5 0.6	C3A206
SUB T	J700		nsp	nsp	CORD	SN95/PB5 0.6	C3A206
SUB T	JK01	F B	nsp	90M-YT004860R	TERMINAL	3.5MM JACK STEREO PJ-308-02	CJJ2D008Z
SUB T	JK01	F N	nsp	90M-YT004860R	TERMINAL	3.5MM JACK STEREO PJ-308-02	CJJ2D008Z
SUB T	JK01	/U1B	nsp	90M-YT004860R	TERMINAL	3.5MM JACK STEREO PJ-308-02	CJJ2D008Z
SUB T	JK91		90M-YT003120R	90M-YT003120R	TERMINAL	CINCH 2P JE0200598N	CJJ4N036Z
SUB T	JW94		nsp	nsp	CORD	1P WIRE ASSY 140MM BLACK	CWEE202140VV
SUB T	JW95		nsp	nsp	CORD	1P WIRE ASSY 140MM RED	CWEE212140VV
SUB T	JW96		nsp	nsp	CORD	MOLEX-5298T BLACK	CWEE202110VV
SUB T	JW96	/U1B	nsp	nsp	CORD	WIRE ASSY	CWZPM48JW96
SUB T	▲OL92	F B	nsp	90M-YT003150R	TERMINAL	! A206D0051P(3P)	KJJ7A011Z

NOTE : \*nsp\* PART IS LISTED FOR REFERENCE ONLY, MARANTZ WILL NOT SUPPLY THESE PARTS.

P.W.B. NAME	POS. NO.	VERS. COLOR	PART NO. (FOR EUR)	PART NO. (MZ)	PART NAME	DESCRIPTION	
SUB T	▲OL92	F N	nsp	90M-YT003150R	TERMINAL	! A206D0051P(3P)	KJJ7A011Z
SUB T	▲OL92	/U1B	nsp	90M-YT003150R	TERMINAL	! A206D0051P(3P)	KJJ7A011Z
SUB T	Q101	F B	nsp	00MBA10001000	TRS.	KRA102M	HVTKRA102MT
SUB T	Q101	F N	nsp	00MBA10001000	TRS.	KRA102M	HVTKRA102MT
SUB T	Q101	/U1B	nsp	00MBA10001000	TRS.	KRA102M	HVTKRA102MT
SUB T	Q925		90M-HT900080R	90M-HT900080R	TRS.	KSD1021Y	HVTKSD1021YT
SUB T	R123	F B	nsp	nsp	RES.	100 OHM 1/6W J CARBON	CRD20TJ101T
SUB T	R123	F N	nsp	nsp	RES.	100 OHM 1/6W J CARBON	CRD20TJ101T
SUB T	R123	/U1B	nsp	nsp	RES.	100 OHM 1/6W J CARBON	CRD20TJ101T
SUB T	R124	F B	nsp	nsp	RES.	100 OHM 1/6W J CARBON	CRD20TJ101T
SUB T	R124	F N	nsp	nsp	RES.	100 OHM 1/6W J CARBON	CRD20TJ101T
SUB T	R124	/U1B	nsp	nsp	RES.	100 OHM 1/6W J CARBON	CRD20TJ101T
SUB T	R927		nsp	nsp	RES.	1K OHM 1/6W J CARBON	CRD20TJ102T
SUB T	R928		nsp	nsp	RES.	4.7K OHM 1/6W J CARBON	CRD20TJ472T
SUB T	R929		nsp	nsp	RES.	10 OHM 1/4W J CARBON	CRD25TJ100T
SUB T	R930		nsp	nsp	RES.	10K OHM 1/6W J CARBON	CRD20TJ103T
SUB T	R931		nsp	nsp	RES.	4.7 OHM 1/4W J CARBON	CRD25TJ4R7T
SUB T	R932		nsp	nsp	RES.	47K OHM 1/6W J CARBON	CRD20TJ473T
SUB T	R934		nsp	nsp	RES.	10K OHM 1/6W J CARBON	CRD20TJ103T
SUB T	R936		nsp	nsp	RES.	47 OHM 1/6W J CARBON	CRD20TJ470T
SUB T	▲RY92		00MLY10120400	00MLY10120400	RELAY	! POWER RELAY G5PA-1 5A OMRON	CSL1E002ZE
SUB T	▲TRS1	F B	nsp	90M-TS003170R	TRANSF.	# TRANSF. SUB CD6002/F	CLT5I009ZJ
SUB T	▲TRS1	F N	nsp	90M-TS003170R	TRANSF.	# TRANSF. SUB CD6002/F	CLT5I009ZJ
SUB T	▲TRS1	/N1B	90M-TS003180R	90M-TS003180R	TRANSF.	# TRANSF. SUB CD6002/N	CLT5I009ZE
SUB T	▲TRS1	/N1SG	90M-TS003180R	90M-TS003180R	TRANSF.	# TRANSF. SUB CD6002/N	CLT5I009ZE
SUB T	▲TRS1	/U1B	nsp	943101002880M	TRANSF.	# TRANSF. SUB SR4023 U	CLT5I009ZU
SUB T	TW91		nsp	nsp	CONN.	7.92MM(YUNHO)	CJP02KA060ZY
<b>TRANSF.1 PWB (CUP12100Z-4)</b>							
TRANSF 1	BN90		nsp	nsp	CORD	3P WIRE ASSY 300MM SHIELD	CWZPM5003BN90
TRANSF 1	BN92		nsp	nsp	CORD	3P WIRE ASSY 320MM	CWZPM5003BN92
TRANSF 1	C910		nsp	nsp	FILM CAP.	0.01UF 100V J	HCQ11H103JZT
TRANSF 1	JW93		nsp	nsp	CORD	WIRE ASSY	CWZAMC660JW52
<b>U-PRO &amp; TONE PWB (CUP12100Z-1)</b>							
U-PRO	BN33		nsp	nsp	CORD	4P WIRE ASSY 200MM SHIELD	CWZPM5003BN33
U-PRO	BN35		nsp	nsp	CORD	2P WIRE ASSY 600MM	CWB2B902550EN
U-PRO	BN51		nsp	nsp	CONN.	MOLEX42140-2206	CJP06HA37ZM
U-PRO	BN52		nsp	nsp	CONN.	7P STRAIGHT	CJP07HA37ZM
U-PRO	BN56		nsp	nsp	CORD	WIRE ASSY	CWB2B904230EN
U-PRO	BN93		nsp	nsp	CORD	WIRE ASSY	CWB2B907250EN
U-PRO	BN95		nsp	nsp	CORD	11P WIRE ASSY 320MM	CWB2B911320EN
U-PRO	C501		nsp	00MOA10605020	ELECT CAP.	10UF 50V	CCEA1HH100T
U-PRO	C502		nsp	00MOA10605020	ELECT CAP.	10UF 50V	CCEA1HH100T
U-PRO	C503		nsp	nsp	CER. CAP.	100PF 50V K	CCBS1H101KBT
U-PRO	C504		nsp	nsp	CER. CAP.	100PF 50V K	CCBS1H101KBT
U-PRO	C505		nsp	00MOA22605020	ELECT CAP.	22UF 50V	CCEA1HH220T
U-PRO	C506		nsp	00MOA22605020	ELECT CAP.	22UF 50V	CCEA1HH220T
U-PRO	C507		nsp	00MOA47602520	ELECT CAP.	47UF 25V	CCEA1EH470T
U-PRO	C508		nsp	00MOA47602520	ELECT CAP.	47UF 25V	CCEA1EH470T
U-PRO	C509		nsp	nsp	CER. CAP.	100PF 50V K	CCBS1H101KBT
U-PRO	C510		nsp	nsp	CER. CAP.	100PF 50V K	CCBS1H101KBT
U-PRO	C511		nsp	00MOA47505020	ELECT CAP.	4.7UF 50V	CCEA1HH4R7T
U-PRO	C512		nsp	00MOA47505020	ELECT CAP.	4.7UF 50V	CCEA1HH4R7T
U-PRO	C513		nsp	nsp	FILM CAP.	0.033UF 100V J	HCQ11H333JZT
U-PRO	C514		nsp	nsp	FILM CAP.	0.033UF 100V J	HCQ11H333JZT
U-PRO	C515		nsp	nsp	FILM CAP.	0.015UF 100V J	HCQ11H153JZT
U-PRO	C516		nsp	nsp	FILM CAP.	0.015UF 100V J	HCQ11H153JZT
U-PRO	C517		nsp	nsp	CER. CAP.	220PF 50V K	CCBS1H221KBT
U-PRO	C518		nsp	nsp	CER. CAP.	220PF 50V K	CCBS1H221KBT
U-PRO	C519		nsp	00MOA10605020	ELECT CAP.	10UF 50V	CCEA1HH100T
U-PRO	C520		nsp	00MOA10605020	ELECT CAP.	10UF 50V	CCEA1HH100T
U-PRO	C521		nsp	nsp	CER. CAP.	0.01UF 50V Z	CCFT1H103ZF
U-PRO	C601		nsp	nsp	CER. CAP.	0.01UF 50V Z	CCBS1H103ZFT
U-PRO	C602		nsp	nsp	CER. CAP.	0.01UF 50V Z	CCBS1H103ZFT
U-PRO	C606		nsp	00MOA10605020	ELECT CAP.	10UF 50V	CCEA1HH100T
U-PRO	C611		nsp	00MOA22701620	ELECT CAP.	220UF 16V	CCEA1CH221T
U-PRO	C612		nsp	nsp	CER. CAP.	0.01UF 50V Z	CCBS1H103ZFT
U-PRO	C613		nsp	00MOA22701620	ELECT CAP.	220UF 16V	CCEA1CH221T

NOTE : "nsp" PART IS LISTED FOR REFERENCE ONLY, MARANTZ WILL NOT SUPPLY THESE PARTS.

P.W.B. NAME	POS. NO.	VERS. COLOR	PART NO. (FOR EUR)	PART NO. (MZ)	PART NAME	DESCRIPTION
U-PRO	C614		nsp	nsp	CER. CAP.	470PF 50V CCBS1H471KBT
U-PRO	C615		nsp	nsp	CER. CAP.	470PF 50V CCBS1H471KBT
U-PRO	C616		nsp	nsp	CER. CAP.	470PF 50V CCBS1H471KBT
U-PRO	C617		nsp	nsp	CER. CAP.	100PF 50V K CCBS1H101KBT
U-PRO	C618		nsp	nsp	CER. CAP.	0.01UF 50V Z CCBS1H103ZFT
U-PRO	C619		nsp	00MOA10605020	ELECT CAP.	10UF 50V CCEA1HH100T
U-PRO	C620		nsp	00MOA10800620	ELECT CAP.	1000UF 6.3V CCEA0JH102T
U-PRO	C621		nsp	nsp	CER. CAP.	0.01UF 50V Z CCBS1H103ZFT
U-PRO	C622		nsp	00MOA10800620	ELECT CAP.	1000UF 6.3V CCEA0JH102T
U-PRO	C623		nsp	00MOA10605020	ELECT CAP.	10UF 50V CCEA1HH100T
U-PRO	C625		nsp	nsp	CER. CAP.	22PF 50V J CCBS1H220JCT
U-PRO	C626		nsp	nsp	CER. CAP.	22PF 50V J CCBS1H220JCT
U-PRO	C627		nsp	nsp	CER. CAP.	0.01UF 50V Z CCBS1H103ZFT
U-PRO	C629		nsp	nsp	CER. CAP.	0.1UF 50V Z CERAMIC CCBS1H104ZFT
U-PRO	C630		nsp	nsp	CER. CAP.	0.01UF 50V Z CCBS1H103ZFT
U-PRO	C631		nsp	nsp	CER. CAP.	0.01UF 50V Z CCBS1H103ZFT
U-PRO	C632		nsp	nsp	CER. CAP.	0.1UF 50V Z CERAMIC CCBS1H104ZFT
U-PRO	C633		nsp	00MOA10505020	ELECT CAP.	1UF 50V CCEA1HH1R0T
U-PRO	C651		nsp	nsp	CER. CAP.	0.01UF 50V Z CCBS1H103ZFT
U-PRO	C652		nsp	nsp	CER. CAP.	0.01UF 50V Z CCBS1H103ZFT
U-PRO	C653		nsp	nsp	CER. CAP.	0.01UF 50V Z CCBS1H103ZFT
U-PRO	C654		nsp	nsp	CER. CAP.	0.01UF 50V Z CCBS1H103ZFT
U-PRO	C655		nsp	nsp	CER. CAP.	0.01UF 50V Z CCBS1H103ZFT
U-PRO	C656		nsp	nsp	CER. CAP.	0.01UF 50V Z CCBS1H103ZFT
U-PRO	C690		nsp	nsp	CER. CAP.	0.01UF 50V Z CCBS1H103ZFT
U-PRO	C693		nsp	nsp	CER. CAP.	0.01UF 50V Z CCBS1H103ZFT
U-PRO	C694		nsp	nsp	CER. CAP.	0.01UF 50V Z CCBS1H103ZFT
U-PRO	C695		nsp	nsp	CER. CAP.	0.1UF 50V Z CERAMIC CCBS1H104ZFT
U-PRO	D501		nsp	00MHD20015210	DIODE	1SS133T-77 CVD1SS133MT
U-PRO	D502		nsp	00MHD20015210	DIODE	1SS133T-77 CVD1SS133MT
U-PRO	D601		nsp	00MHD20015210	DIODE	1SS133T-77 CVD1SS133MT
U-PRO	D602		nsp	00MHD20015210	DIODE	1SS133T-77 CVD1SS133MT
U-PRO	D606		nsp	00MHD20015210	DIODE	1SS133T-77 CVD1SS133MT
U-PRO	D613		nsp	00MHD20015210	DIODE	1SS133T-77 CVD1SS133MT
U-PRO	D620		nsp	00MHD20015210	DIODE	1SS133T-77 CVD1SS133MT
U-PRO	D621		nsp	00MHD20015210	DIODE	1SS133T-77 CVD1SS133MT
U-PRO	D622		nsp	00MHD20015210	DIODE	1SS133T-77 CVD1SS133MT
U-PRO	D623		nsp	00MHD20015210	DIODE	1SS133T-77 CVD1SS133MT
U-PRO	D641		90M-HI101080R	90M-HI101080R	L.E.D.	LEBBL33T0 CVDLEBBL33T0
U-PRO	D642		90M-HI101080R	90M-HI101080R	L.E.D.	LEBBL33T0 CVDLEBBL33T0
U-PRO	D643		90M-HI101080R	90M-HI101080R	L.E.D.	LEBBL33T0 CVDLEBBL33T0
U-PRO	D644		90M-HI101080R	90M-HI101080R	L.E.D.	LEBBL33T0 CVDLEBBL33T0
U-PRO	D651		90M-HI101080R	90M-HI101080R	L.E.D.	LEBBL33T0 CVDLEBBL33T0
U-PRO	D652		90M-HI101080R	90M-HI101080R	L.E.D.	LEBBL33T0 CVDLEBBL33T0
U-PRO	D653		90M-HI101080R	90M-HI101080R	L.E.D.	LEBBL33T0 CVDLEBBL33T0
U-PRO	D654		90M-HI101080R	90M-HI101080R	L.E.D.	LEBBL33T0 CVDLEBBL33T0
U-PRO	D655		90M-HI101080R	90M-HI101080R	L.E.D.	LEBBL33T0 CVDLEBBL33T0
U-PRO	D656		90M-HI101080R	90M-HI101080R	L.E.D.	LEBBL33T0 CVDLEBBL33T0
U-PRO	D657		90M-HI101040R	90M-HI101040R	L.E.D.	SLR342VCTB7T089 HVD342VCTB7T089
U-PRO	D675		263710016400S	263710016400S	L.E.D.	SLI-325URT31W TP CVDSLI325URT31WT055
U-PRO	IC53		00MHC10102090	00MHC10102090	IC	NJM2068MD-TE1 HVINJM2068MDTE1
U-PRO	IC54		00MHC10102090	00MHC10102090	IC	NJM2068MD-TE1 HVINJM2068MDTE1
U-PRO	IC55		00MHC10102090	00MHC10102090	IC	NJM2068MD-TE1 HVINJM2068MDTE1
U-PRO	IC61		943243004080M	943243004080M	U-PRO	TMP86FH12MG MAIN CPU PM5003 CVITMP86FH12MG
U-PRO	IC62		90M-HC400060R	90M-HC400060R	IC	TC74HC4094AFN HVITC74HC4094FN
U-PRO	J101		nsp	nsp	CORD	SN95/PB5 0.6 C3A206
U-PRO	J102		nsp	nsp	CORD	SN95/PB5 0.6 C3A206
U-PRO	J103		nsp	nsp	CORD	SN95/PB5 0.6 C3A206
U-PRO	J104		nsp	nsp	CORD	SN95/PB5 0.6 C3A206
U-PRO	J105		nsp	nsp	CORD	SN95/PB5 0.6 C3A206
U-PRO	J106		nsp	nsp	CORD	SN95/PB5 0.6 C3A206
U-PRO	J107		nsp	nsp	CORD	SN95/PB5 0.6 C3A206
U-PRO	J108		nsp	nsp	CORD	SN95/PB5 0.6 C3A206
U-PRO	J109		nsp	nsp	CORD	SN95/PB5 0.6 C3A206
U-PRO	J111		nsp	nsp	CORD	SN95/PB5 0.6 C3A206
U-PRO	J112		nsp	nsp	CORD	SN95/PB5 0.6 C3A206
U-PRO	J113		nsp	nsp	CORD	SN95/PB5 0.6 C3A206

NOTE : \*nsp\* PART IS LISTED FOR REFERENCE ONLY, MARANTZ WILL NOT SUPPLY THESE PARTS.

P.W.B. NAME	POS. NO.	VERS. COLOR	PART NO. (FOR EUR)	PART NO. (MZ)	PART NAME	DESCRIPTION
U-PRO	J114		nsp	nsp	CORD	SN95/PB5 0.6 C3A206
U-PRO	J115		nsp	nsp	CORD	SN95/PB5 0.6 C3A206
U-PRO	J116		nsp	nsp	CORD	SN95/PB5 0.6 C3A206
U-PRO	J119		nsp	nsp	CORD	SN95/PB5 0.6 C3A206
U-PRO	J120		nsp	nsp	CORD	SN95/PB5 0.6 C3A206
U-PRO	J124		nsp	nsp	CORD	SN95/PB5 0.6 C3A206
U-PRO	J126		nsp	nsp	CORD	SN95/PB5 0.6 C3A206
U-PRO	J127		nsp	nsp	CORD	SN95/PB5 0.6 C3A206
U-PRO	J128		nsp	nsp	CORD	SN95/PB5 0.6 C3A206
U-PRO	J129		nsp	nsp	CORD	SN95/PB5 0.6 C3A206
U-PRO	J131		nsp	nsp	CORD	SN95/PB5 0.6 C3A206
U-PRO	J132		nsp	nsp	CORD	SN95/PB5 0.6 C3A206
U-PRO	J133		nsp	nsp	CORD	SN95/PB5 0.6 C3A206
U-PRO	J201		nsp	nsp	CORD	SN95/PB5 0.6 C3A206
U-PRO	J202		nsp	nsp	CORD	SN95/PB5 0.6 C3A206
U-PRO	J203		nsp	nsp	CORD	SN95/PB5 0.6 C3A206
U-PRO	J204		nsp	nsp	CORD	SN95/PB5 0.6 C3A206
U-PRO	J205		nsp	nsp	CORD	SN95/PB5 0.6 C3A206
U-PRO	J206		nsp	nsp	CORD	SN95/PB5 0.6 C3A206
U-PRO	J208		nsp	nsp	CORD	SN95/PB5 0.6 C3A206
U-PRO	J209		nsp	nsp	CORD	SN95/PB5 0.6 C3A206
U-PRO	J211		nsp	nsp	CORD	SN95/PB5 0.6 C3A206
U-PRO	J212		nsp	nsp	CORD	SN95/PB5 0.6 C3A206
U-PRO	J214		nsp	nsp	CORD	SN95/PB5 0.6 C3A206
U-PRO	J216		nsp	nsp	CORD	SN95/PB5 0.6 C3A206
U-PRO	J217		nsp	nsp	CORD	SN95/PB5 0.6 C3A206
U-PRO	J219		nsp	nsp	CORD	SN95/PB5 0.6 C3A206
U-PRO	J221		nsp	nsp	CORD	SN95/PB5 0.6 C3A206
U-PRO	J222		nsp	nsp	CORD	SN95/PB5 0.6 C3A206
U-PRO	J301		nsp	nsp	CORD	SN95/PB5 0.6 C3A206
U-PRO	J302		nsp	nsp	CORD	SN95/PB5 0.6 C3A206
U-PRO	J303		nsp	nsp	CORD	SN95/PB5 0.6 C3A206
U-PRO	J304		nsp	nsp	CORD	SN95/PB5 0.6 C3A206
U-PRO	J305		nsp	nsp	CORD	SN95/PB5 0.6 C3A206
U-PRO	J306		nsp	nsp	CORD	SN95/PB5 0.6 C3A206
U-PRO	J307		nsp	nsp	CORD	SN95/PB5 0.6 C3A206
U-PRO	J310		nsp	nsp	CORD	SN95/PB5 0.6 C3A206
U-PRO	J312		nsp	nsp	CORD	SN95/PB5 0.6 C3A206
U-PRO	J313		nsp	nsp	CORD	SN95/PB5 0.6 C3A206
U-PRO	J314		nsp	nsp	CORD	SN95/PB5 0.6 C3A206
U-PRO	J315		nsp	nsp	CORD	SN95/PB5 0.6 C3A206
U-PRO	J316		nsp	nsp	CORD	SN95/PB5 0.6 C3A206
U-PRO	J317		nsp	nsp	CORD	SN95/PB5 0.6 C3A206
U-PRO	J318		nsp	nsp	CORD	SN95/PB5 0.6 C3A206
U-PRO	J401		nsp	nsp	CORD	SN95/PB5 0.6 C3A206
U-PRO	J402		nsp	nsp	CORD	SN95/PB5 0.6 C3A206
U-PRO	J403		nsp	nsp	CORD	SN95/PB5 0.6 C3A206
U-PRO	J404		nsp	nsp	CORD	SN95/PB5 0.6 C3A206
U-PRO	J405		nsp	nsp	CORD	SN95/PB5 0.6 C3A206
U-PRO	J406		nsp	nsp	CORD	SN95/PB5 0.6 C3A206
U-PRO	J407		nsp	nsp	CORD	SN95/PB5 0.6 C3A206
U-PRO	J408		nsp	nsp	CORD	SN95/PB5 0.6 C3A206
U-PRO	J409		nsp	nsp	CORD	SN95/PB5 0.6 C3A206
U-PRO	J410		nsp	nsp	CORD	SN95/PB5 0.6 C3A206
U-PRO	J411		nsp	nsp	CORD	SN95/PB5 0.6 C3A206
U-PRO	J414		nsp	nsp	CORD	SN95/PB5 0.6 C3A206
U-PRO	J415		nsp	nsp	CORD	SN95/PB5 0.6 C3A206
U-PRO	J501		nsp	nsp	CORD	SN95/PB5 0.6 C3A206
U-PRO	J502		nsp	nsp	CORD	SN95/PB5 0.6 C3A206
U-PRO	J503		nsp	nsp	CORD	SN95/PB5 0.6 C3A206
U-PRO	J504		nsp	nsp	CORD	SN95/PB5 0.6 C3A206
U-PRO	J505		nsp	nsp	CORD	SN95/PB5 0.6 C3A206
U-PRO	J506		nsp	nsp	CORD	SN95/PB5 0.6 C3A206
U-PRO	J508		nsp	nsp	CORD	SN95/PB5 0.6 C3A206
U-PRO	J601		nsp	nsp	CORD	SN95/PB5 0.6 C3A206
U-PRO	J602		nsp	nsp	CORD	SN95/PB5 0.6 C3A206
U-PRO	J608		nsp	nsp	CORD	SN95/PB5 0.6 C3A206

NOTE : "nsp" PART IS LISTED FOR REFERENCE ONLY, MARANTZ WILL NOT SUPPLY THESE PARTS.

P.W.B. NAME	POS. NO.	VERS. COLOR	PART NO. (FOR EUR)	PART NO. (MZ)	PART NAME	DESCRIPTION
U-PRO	J702		nsp	nsp	CORD	SN95/PB5 0.6 C3A206
U-PRO	J703		nsp	nsp	CORD	SN95/PB5 0.6 C3A206
U-PRO	J704		nsp	nsp	CORD	SN95/PB5 0.6 C3A206
U-PRO	J801		nsp	nsp	CORD	SN95/PB5 0.6 C3A206
U-PRO	JW61		nsp	nsp	CORD	WIRE ASSY CWZAMC660JW52
U-PRO	Q501		00MHT327851H0	00MHT327851H0	TRS.	KSC2785Y HVTKSC2785YT
U-PRO	Q502		90M-HT100390R	90M-HT100390R	TRS.	KSA1175Y HVTKSA1175YT
U-PRO	Q603		00MHT327851H0	00MHT327851H0	TRS.	KSC2785Y HVTKSC2785YT
U-PRO	Q604		00MHT327851H0	00MHT327851H0	TRS.	KSC2785Y HVTKSC2785YT
U-PRO	Q605		00MHT327851H0	00MHT327851H0	TRS.	KSC2785Y HVTKSC2785YT
U-PRO	Q613		00MBA10001000	00MBA10001000	TRS.	KRA102M HVTKRA102MT
U-PRO	Q614		00MBA10001000	00MBA10001000	TRS.	KRA102M HVTKRA102MT
U-PRO	Q617		00MHT327851H0	00MHT327851H0	TRS.	KSC2785Y HVTKSC2785YT
U-PRO	Q631		90M-BA001450R	90M-BA001450R	TRS.	KRA107M HVTKRA107MT
U-PRO	Q634		90M-BA001450R	90M-BA001450R	TRS.	KRA107M HVTKRA107MT
U-PRO	Q635		90M-BA001450R	90M-BA001450R	TRS.	KRA107M HVTKRA107MT
U-PRO	Q636		90M-BA001450R	90M-BA001450R	TRS.	KRA107M HVTKRA107MT
U-PRO	Q637		90M-BA001450R	90M-BA001450R	TRS.	KRA107M HVTKRA107MT
U-PRO	Q638		90M-BA001450R	90M-BA001450R	TRS.	KRA107M HVTKRA107MT
U-PRO	Q639		90M-BA001450R	90M-BA001450R	TRS.	KRA107M HVTKRA107MT
U-PRO	Q640		90M-BA001450R	90M-BA001450R	TRS.	KRA107M HVTKRA107MT
U-PRO	Q689		90M-BA001460R	90M-BA001460R	TRS.	KRC107M HVTKRC107MT
U-PRO	Q690		90M-BA001460R	90M-BA001460R	TRS.	KRC107M HVTKRC107MT
U-PRO	Q691		90M-BA001460R	90M-BA001460R	TRS.	KRC107M HVTKRC107MT
U-PRO	Q692		90M-BA001460R	90M-BA001460R	TRS.	KRC107M HVTKRC107MT
U-PRO	R501		nsp	nsp	RES.	100K OHM 1/6W J CARBON CRD20TJ104T
U-PRO	R502		nsp	nsp	RES.	100K OHM 1/6W J CARBON CRD20TJ104T
U-PRO	R503		nsp	nsp	RES.	2.7K OHM 1/6W J CARBON CRD20TJ272T
U-PRO	R504		nsp	nsp	RES.	2.7K OHM 1/6W J CARBON CRD20TJ272T
U-PRO	R505		nsp	nsp	RES.	100 OHM 1/6W J CARBON CRD20TJ101T
U-PRO	R506		nsp	nsp	RES.	100 OHM 1/6W J CARBON CRD20TJ101T
U-PRO	R507		nsp	nsp	RES.	2.7K OHM 1/6W J CARBON CRD20TJ272T
U-PRO	R508		nsp	nsp	RES.	2.7K OHM 1/6W J CARBON CRD20TJ272T
U-PRO	R509		nsp	nsp	RES.	100K OHM 1/6W J CARBON CRD20TJ104T
U-PRO	R510		nsp	nsp	RES.	100K OHM 1/6W J CARBON CRD20TJ104T
U-PRO	R511		nsp	nsp	RES.	1K OHM 1/6W J CARBON CRD20TJ102T
U-PRO	R512		nsp	nsp	RES.	1K OHM 1/6W J CARBON CRD20TJ102T
U-PRO	R513		nsp	nsp	RES.	33K OHM 1/6W J CARBON CRD20TJ333T
U-PRO	R514		nsp	nsp	RES.	33K OHM 1/6W J CARBON CRD20TJ333T
U-PRO	R515		nsp	nsp	RES.	1.2K OHM 1/6W J CARBON CRD20TJ122T
U-PRO	R516		nsp	nsp	RES.	1.2K OHM 1/6W J CARBON CRD20TJ122T
U-PRO	R517		nsp	nsp	RES.	33K OHM 1/6W J CARBON CRD20TJ333T
U-PRO	R518		nsp	nsp	RES.	33K OHM 1/6W J CARBON CRD20TJ333T
U-PRO	R519		nsp	nsp	RES.	220 OHM 1/6W J CARBON CRD20TJ221T
U-PRO	R520		nsp	nsp	RES.	220 OHM 1/6W J CARBON CRD20TJ221T
U-PRO	R521		nsp	nsp	RES.	56K OHM 1/6W J CARBON CRD20TJ563T
U-PRO	R522		nsp	nsp	RES.	56K OHM 1/6W J CARBON CRD20TJ563T
U-PRO	R523		nsp	nsp	RES.	33K OHM 1/6W J CARBON CRD20TJ333T
U-PRO	R524		nsp	nsp	RES.	100 OHM 1/6W J CARBON CRD20TJ101T
U-PRO	R525		nsp	nsp	RES.	33K OHM 1/6W J CARBON CRD20TJ333T
U-PRO	R526		nsp	nsp	RES.	10K OHM 1/6W J CARBON CRD20TJ103T
U-PRO	R527		nsp	nsp	RES.	10K OHM 1/6W J CARBON CRD20TJ103T
U-PRO	R528		nsp	nsp	RES.	10K OHM 1/6W J CARBON CRD20TJ103T
U-PRO	R601		nsp	nsp	RES.	22K OHM 1/6W J CARBON CRD20TJ223T
U-PRO	R602		nsp	nsp	RES.	10K OHM 1/6W J CARBON CRD20TJ103T
U-PRO	R603		nsp	nsp	RES.	22K OHM 1/6W J CARBON CRD20TJ223T
U-PRO	R604		nsp	nsp	RES.	4.7K OHM 1/6W J CARBON CRD20TJ472T
U-PRO	R605		nsp	nsp	RES.	2.2K OHM 1/6W J CARBON CRD20TJ222T
U-PRO	R606		nsp	nsp	RES.	100 OHM 1/6W J CARBON CRD20TJ101T
U-PRO	R607		nsp	nsp	RES.	47K OHM 1/6W J CARBON CRD20TJ473T
U-PRO	R608		nsp	nsp	RES.	22K OHM 1/6W J CARBON CRD20TJ223T
U-PRO	R610		nsp	nsp	RES.	100 OHM 1/6W J CARBON CRD20TJ101T
U-PRO	R611		nsp	nsp	RES.	100 OHM 1/6W J CARBON CRD20TJ101T
U-PRO	R612		nsp	nsp	RES.	100 OHM 1/6W J CARBON CRD20TJ101T
U-PRO	R615		nsp	nsp	RES.	47K OHM 1/6W J CARBON CRD20TJ473T
U-PRO	R617		nsp	nsp	RES.	22K OHM 1/6W J CARBON CRD20TJ223T
U-PRO	R618		nsp	nsp	RES.	10 OHM 1/6W J CARBON CRD20TJ100T

NOTE : \*nsp\* PART IS LISTED FOR REFERENCE ONLY, MARANTZ WILL NOT SUPPLY THESE PARTS.

P.W.B. NAME	POS. NO.	VERS. COLOR	PART NO. (FOR EUR)	PART NO. (MZ)	PART NAME	DESCRIPTION
U-PRO	R619		nsp	nsp	RES.	10K OHM 1/6W J CARBON CRD20TJ103T
U-PRO	R622		nsp	nsp	RES.	100 OHM 1/6W J CARBON CRD20TJ101T
U-PRO	R623		nsp	nsp	RES.	22K OHM 1/6W J CARBON CRD20TJ223T
U-PRO	R624		nsp	nsp	RES.	22K OHM 1/6W J CARBON CRD20TJ223T
U-PRO	R625		nsp	nsp	RES.	22K OHM 1/6W J CARBON CRD20TJ223T
U-PRO	R626		nsp	nsp	RES.	22K OHM 1/6W J CARBON CRD20TJ223T
U-PRO	R627		nsp	nsp	RES.	120 OHM 1/6W J CARBON CRD20TJ121T
U-PRO	R628		nsp	nsp	RES.	1M OHM 1/6W J CARBON CRD20TJ105T
U-PRO	R629		nsp	nsp	RES.	100 OHM 1/6W J CARBON CRD20TJ101T
U-PRO	R630		nsp	nsp	RES.	10K OHM 1/6W J CARBON CRD20TJ103T
U-PRO	R631		nsp	nsp	RES.	10 OHM 1/6W J CARBON CRD20TJ100T
U-PRO	R635		nsp	nsp	RES.	4.7K OHM 1/6W J CARBON CRD20TJ472T
U-PRO	R636		nsp	nsp	RES.	4.7K OHM 1/6W J CARBON CRD20TJ472T
U-PRO	R637		nsp	nsp	RES.	4.7K OHM 1/6W J CARBON CRD20TJ472T
U-PRO	R641		nsp	nsp	RES.	2.7K OHM 1/6W J CARBON CRD20TJ272T
U-PRO	R642		nsp	nsp	RES.	2.7K OHM 1/6W J CARBON CRD20TJ272T
U-PRO	R643		nsp	nsp	RES.	2.7K OHM 1/6W J CARBON CRD20TJ272T
U-PRO	R644		nsp	nsp	RES.	2.7K OHM 1/6W J CARBON CRD20TJ272T
U-PRO	R648		nsp	nsp	RES.	10K OHM 1/6W J CARBON CRD20TJ103T
U-PRO	R651		nsp	nsp	RES.	10K OHM 1/6W J CARBON CRD20TJ103T
U-PRO	R652		nsp	nsp	RES.	10K OHM 1/6W J CARBON CRD20TJ103T
U-PRO	R653		nsp	nsp	RES.	10K OHM 1/6W J CARBON CRD20TJ103T
U-PRO	R654		nsp	nsp	RES.	10K OHM 1/6W J CARBON CRD20TJ103T
U-PRO	R655		nsp	nsp	RES.	10K OHM 1/6W J CARBON CRD20TJ103T
U-PRO	R656		nsp	nsp	RES.	10K OHM 1/6W J CARBON CRD20TJ103T
U-PRO	R658		nsp	nsp	RES.	220 OHM 1/6W J CARBON CRD20TJ221T
U-PRO	R659		nsp	nsp	RES.	220 OHM 1/6W J CARBON CRD20TJ221T
U-PRO	R660		nsp	nsp	RES.	10K OHM 1/6W J CARBON CRD20TJ103T
U-PRO	R675		nsp	nsp	RES.	1.5K OHM 1/6W J CARBON CRD20TJ152T
U-PRO	R694		nsp	nsp	RES.	2.7K OHM 1/6W J CARBON CRD20TJ272T
U-PRO	R695		nsp	nsp	RES.	1.8K OHM 1/6W J CARBON CRD20TJ182T
U-PRO	R696		nsp	nsp	RES.	1.5K OHM 1/6W J CARBON CRD20TJ152T
U-PRO	R697		nsp	nsp	RES.	1K OHM 1/6W J CARBON CRD20TJ102T
U-PRO	RC61		00MHW10004210	00MHW10004210	PHOTO UNIT	RPM6936-V4 CRVVRPM6936V4
U-PRO	RY51		943682000810S	943682000810S	RELAY	BC3-12H 12V 2C2P CSL4A016ZU
U-PRO	S101		90M-SP001210R	90M-SP001210R	SW	SKHV10910G TACT CST1A0122T
U-PRO	S102		90M-SP001210R	90M-SP001210R	SW	SKHV10910G TACT CST1A0122T
U-PRO	S103		90M-SP001210R	90M-SP001210R	SW	SKHV10910G TACT CST1A0122T
U-PRO	S104		90M-SP001210R	90M-SP001210R	SW	SKHV10910G TACT CST1A0122T
U-PRO	SW31		90M-SR000290R	90M-SR000290R	ROTARY SW	VR ENCODER CSR2A034Z
U-PRO	VR51		90M-RB000060R	90M-RB000060R	VAR. RES.	RES. VARIABLE(BALANCE) CVV2X11M203Z
U-PRO	VR54		90M-RB000050R	90M-RB000050R	VAR. RES.	RES. VARIABLE(TONE) CVV2X10B103Z
U-PRO	VR55		90M-RB000050R	90M-RB000050R	VAR. RES.	RES. VARIABLE(TONE) CVV2X10B103Z
U-PRO	X621		90M-JX001270R	90M-JX001270R	X'TAL	16.000MHZ HOX16000E160T

NOTE : "nsp" PART IS LISTED FOR REFERENCE ONLY, MARANTZ WILL NOT SUPPLY THESE PARTS.



## 11. ABOUT REPLACE THE MICROPROCESSOR WITH A NEW ONE

When replaced of the U-PRO (Microprocessor) or the Flash ROM, confirm contents of the following.

PWB Name	Pos. No.	Description	After replaced	Remark
U-PR0	IC61	TMP86FH12MG MAIN CPU PM5003	<b>B</b>	

After replaced

**A** : Mask ROM (With software). No need write-in of software to the microprocessor.

**B** : Flash ROM (With software). Usually, no need write-in of software. But, when the software was updated, you should be write-in of the new software to the microprocessor or flash ROM. Please check the software version.

**C** : Empty Flash ROM (Without software). You should be write-in of the software to the microprocessor or flash ROM. Refer to "Update procedure" or "writing procedure", when you should be write-in the software.

### マイコン等を交換した場合の対応について

U-PRO(マイコン)およびFlash ROM等を交換した場合の対応方法を下記の記載します。

PWB Name	Pos. No.	Description	交換時の対応	備考
U-PR0	IC61	TMP86FH12MG MAIN CPU PM5003	<b>B</b>	

交換時の対応

**A** : Mask ROM (ソフトウェア書き込み済み) 交換時にソフトウェアの書き込みは必要ありません。

**B** : Flash ROM (ソフトウェア書き込み済み) バージョンアップにより交換時にソフトウェアの書き換えが必要な場合があります。バージョンの確認をしてください。

**C** : 空ROM (Flash ROM) 交換時必ずソフトウェアの書き込みが必要になります。Update、書き込み方法を参照してください。